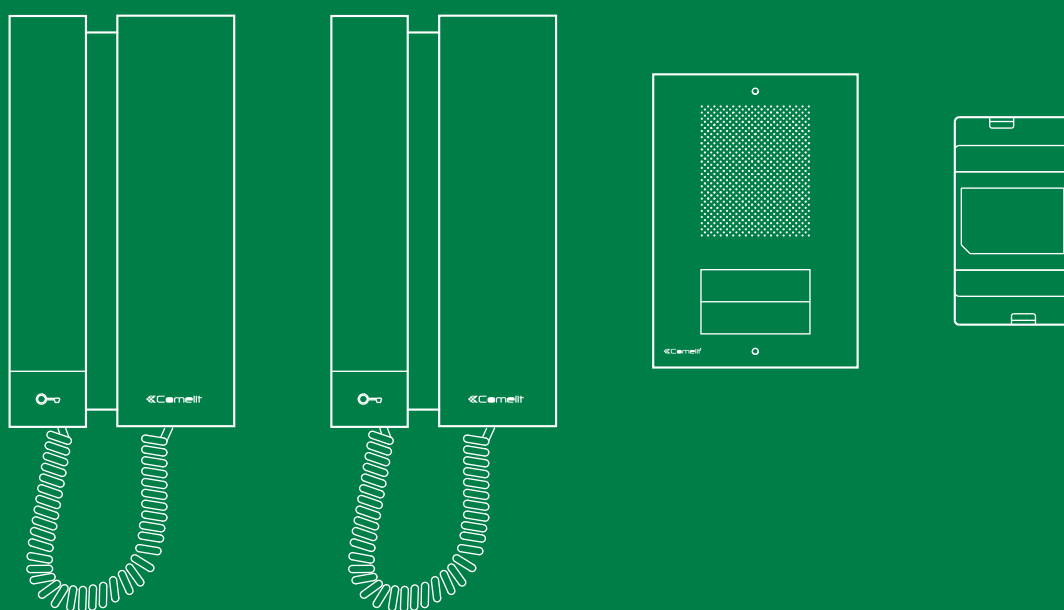


EN

TECHNICAL  
MANUAL



Technical manual for two-family Kit Art. KAE5062



# Warning

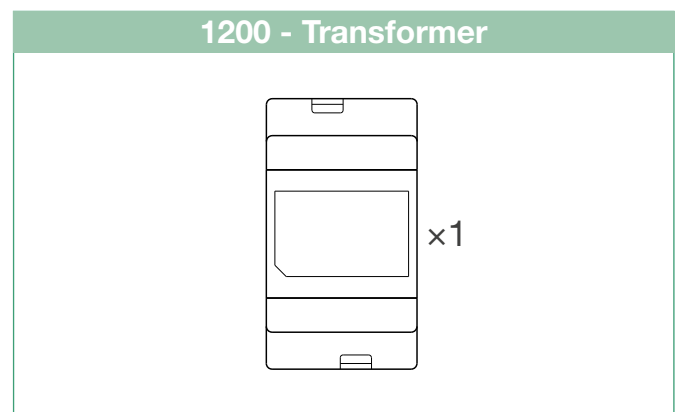
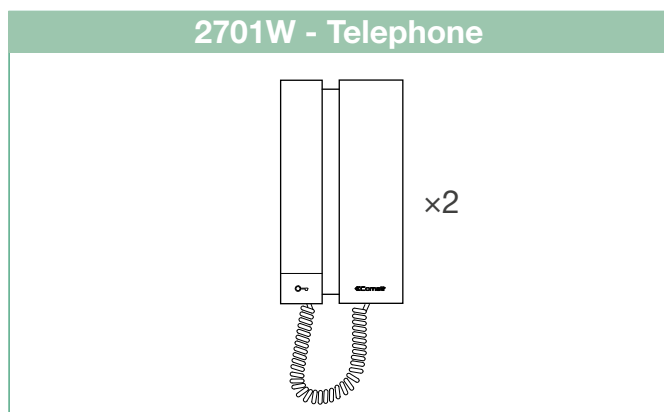
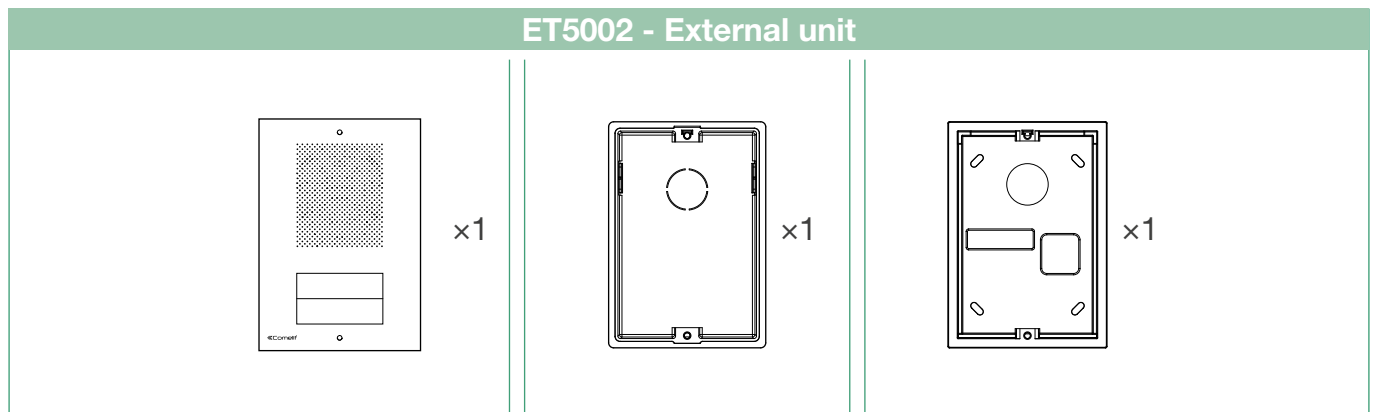
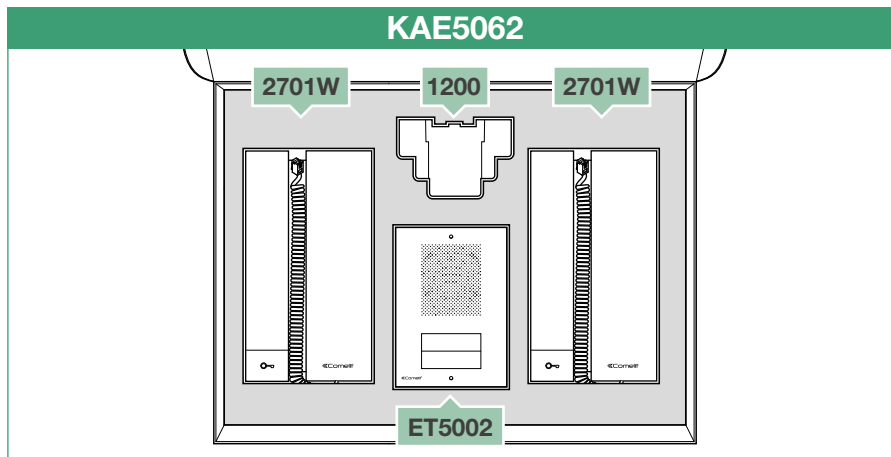
- Install the equipment by carefully following the instructions given by the manufacturer and in compliance with the standards in force. Do not tamper with the internal elements offering protection against short circuits and overcurrents.
- All the equipment must only be used for the purpose it was designed for. **Comelit Group S.p.A.** declines any responsibility for improper use of the apparatus, for any alterations made by others for any reason or for the use of non-original accessories or materials.
- All the products comply with the requirements of the 2014/30/EU and 2014/35/EU directives. This is proved by the **CE** mark on the products themselves.
- Do not route the riser wires in proximity to power supply cables (230/400V).
- Installation, mounting and assistance procedures for electrical devices must only be performed by specialised electricians.
- Do not press and hold the audio hook while the handset is lifted.
- Disconnect the power supply before carrying out any maintenance procedures.
- The electrical system of the building must be fitted with an omnipolar mains switch with a contact opening of at least 3 mm, which is capable of isolating the power supply of the device.
- Place the protection back over the terminals and close the inspection door after every procedure.

## Table of contents

<b>Warning</b> .....	<b>2</b>
<b>Package Contents</b> .....	<b>3</b>
<b>Transformer Art. 1200</b> .....	<b>4</b>
<b>Description</b> .....	<b>4</b>
<b>External unit Art. ET5002</b> .....	<b>5</b>
<b>Description</b> .....	<b>5</b>
<b>Installation</b> .....	<b>6</b>
Replacing the nameplate holders .....	<b>6</b>
<b>Internal unit Art. 2701W</b> .....	<b>7</b>
<b>Description</b> .....	<b>7</b>
<b>Installation</b> .....	<b>8</b>
<b>Operating distances and standard diagram</b> .....	<b>9</b>
<b>Wiring diagram for standard system and 1 additional door-entry phone connection variant</b> .....	<b>9</b>
<b>Operating distances</b> .....	<b>9</b>

# Package Contents

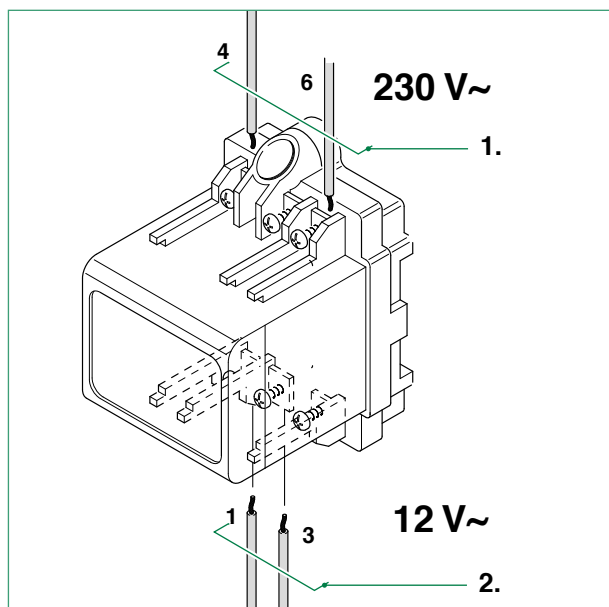
This manual includes information regarding system configuration and customisation which may be perceived as necessary by the installer.



# Transformer Art. 1200

## Description

Transformer with 230V primary, 12V AC / 15 VA secondary winding for continuous use. Dimensions: 53x95x65 mm (3 DIN modules).



1. 230 V digital input.

2. Secondary 12 V AC output.



**Disconnect the power supply before carrying out any maintenance procedures.**

**The electrical system of the building must be fitted with an omnipolar mains switch with a contact opening of at least 3 mm, which is capable of isolating the power supply of the device.**

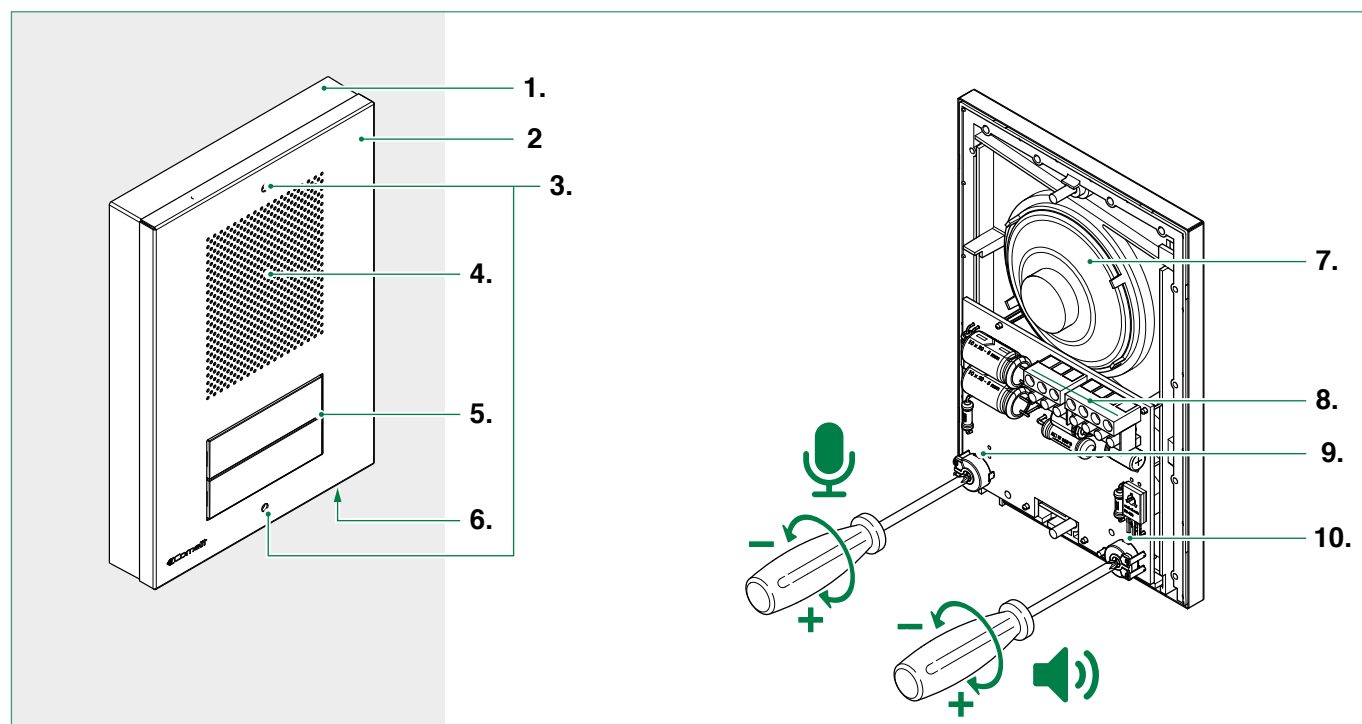
**Place the protection back over the terminals and close the inspection door after every procedure.**

# External unit Art. ET5002

## Description

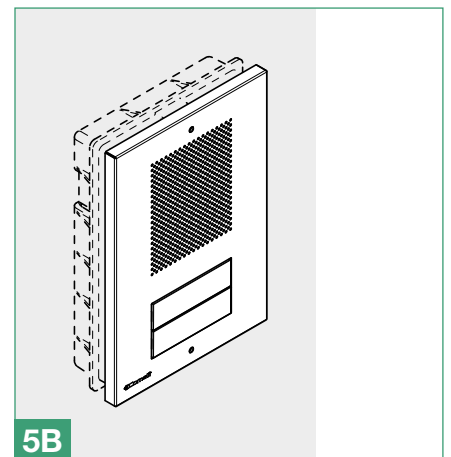
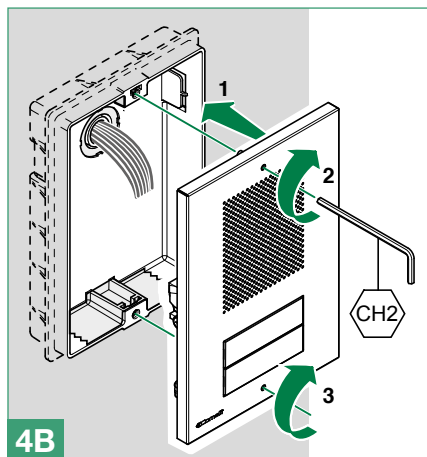
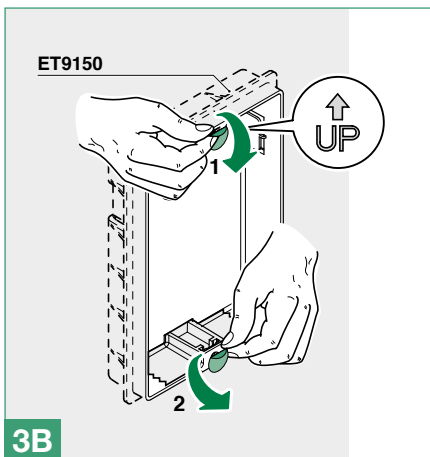
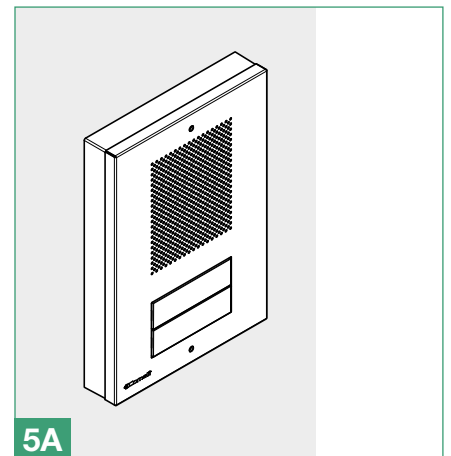
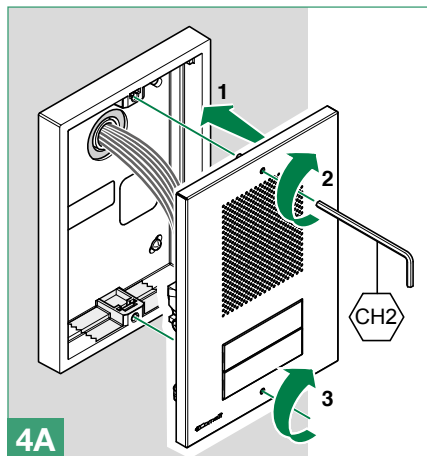
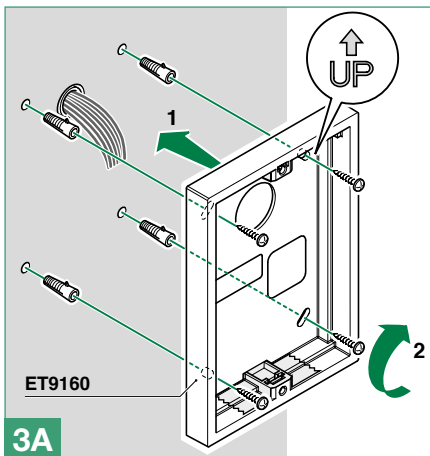
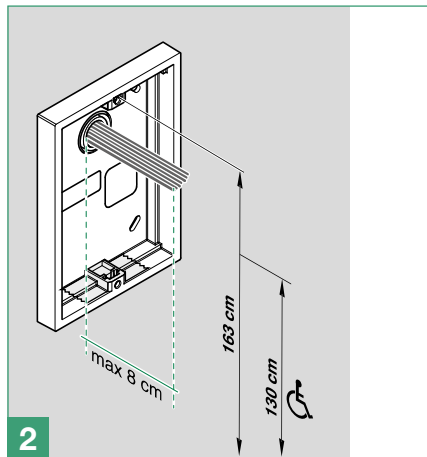
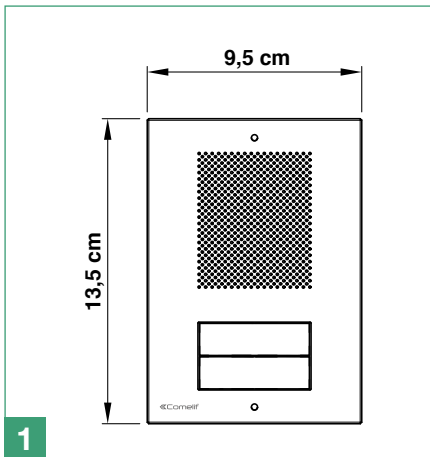
External unit complete with 2 call buttons, 1 wall bracket and 1 flush-mounted box.

Dimensions 95×135×26.5 mm (including wall bracket).

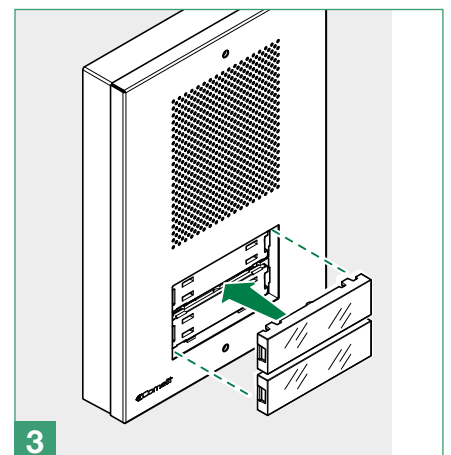
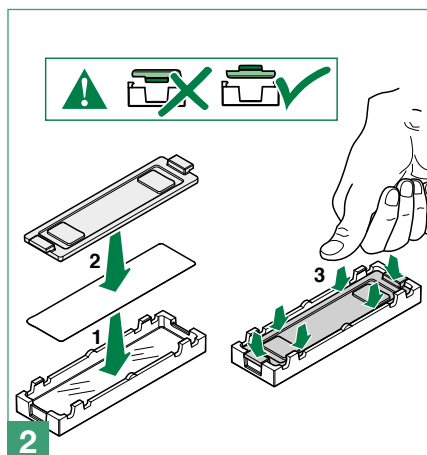
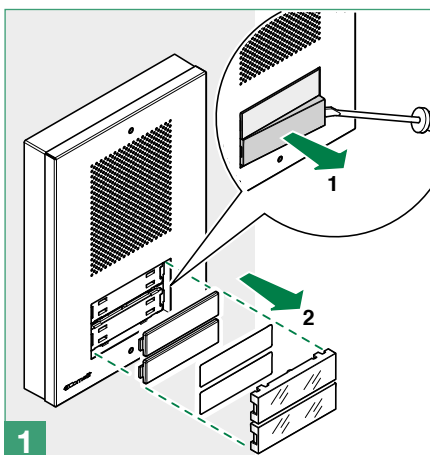


1. Surface-mounted wall bracket Art. ET9160. A flush-mounted box Art. ET9150 is also available.
2. Stainless steel front faceplate.
3. Faceplate fixing screw holes.
4. Speaker.
5. Call buttons.
6. Microphone.
7. Speaker.
8. Terminal block for connection:
  - S2 S1** Electronic call signal output
  - 4** Negative
  - 3** Loudspeaker input
  - 2** Microphone output
  - ~\* 12V AC power supply terminals
9. **TM2** Microphone volume adjustment trimmer.
10. **TM1** Loudspeaker volume adjustment trimmer.

# Installation



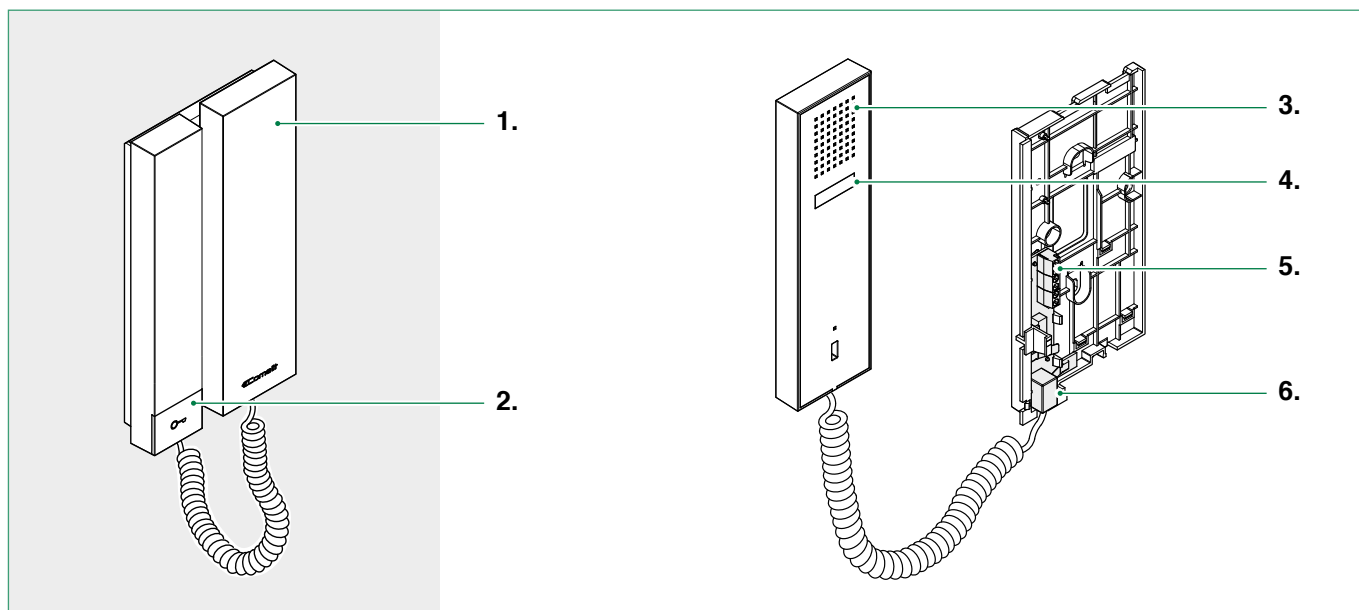
## Replacing the nameplate holders



# Internal unit Art. 2701W

## Description

Audio internal unit complete with 1 key button. Dimensions 105×190×28 mm.



1. Handset.

2. Key button.

3. Speaker.

4. Audio hook.

5. Terminal block:

**S** Electronic call signal input

**2** Loudspeaker input

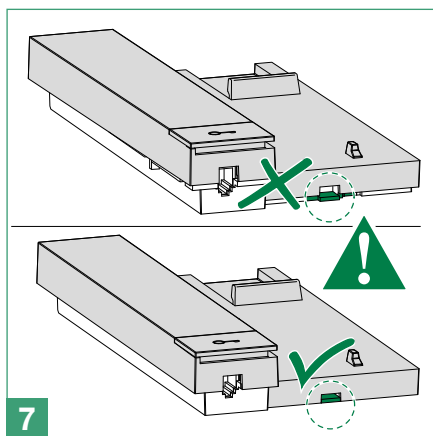
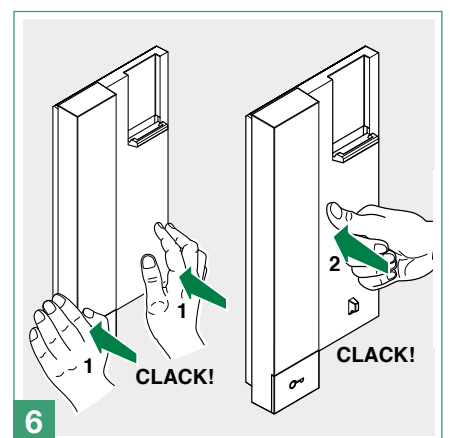
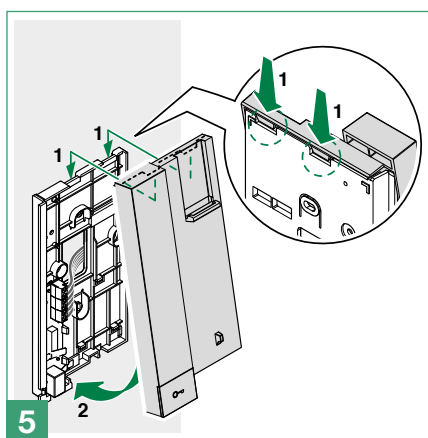
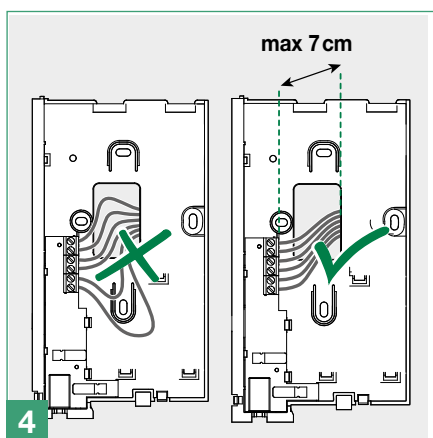
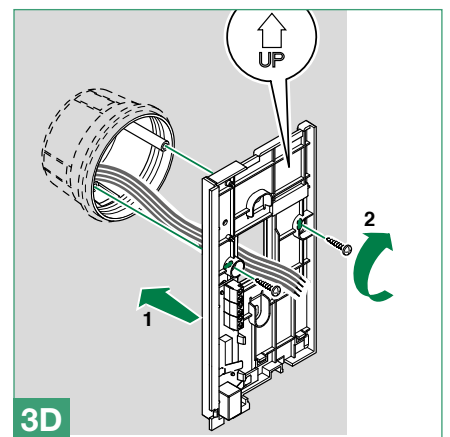
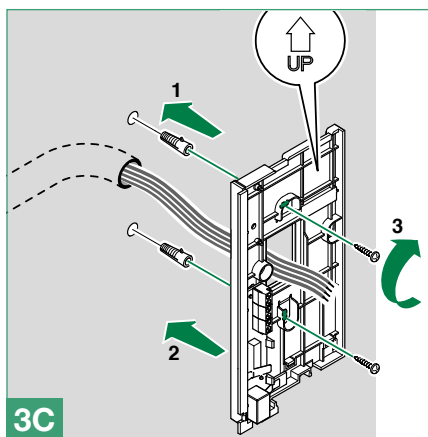
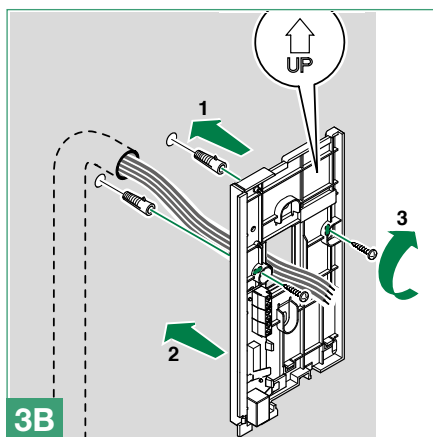
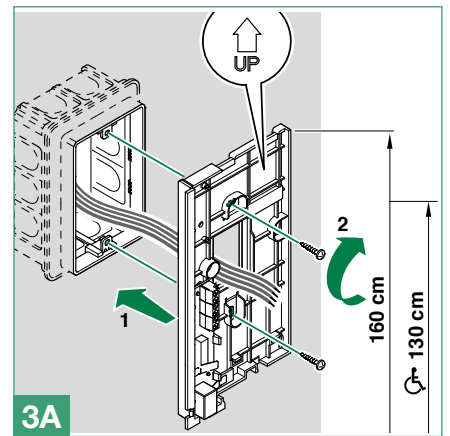
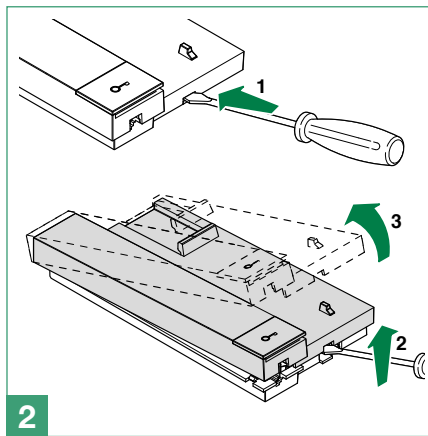
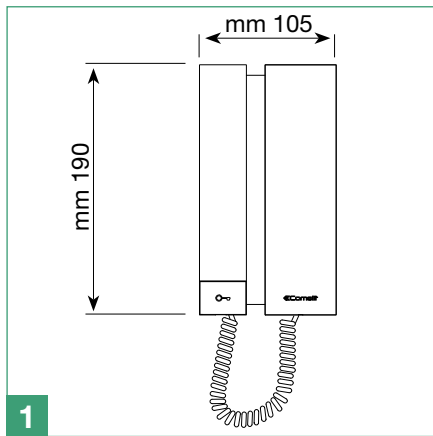
**3** Microphone output

**4** Negative

**P1** Terminal for key button

6. Handset connector.

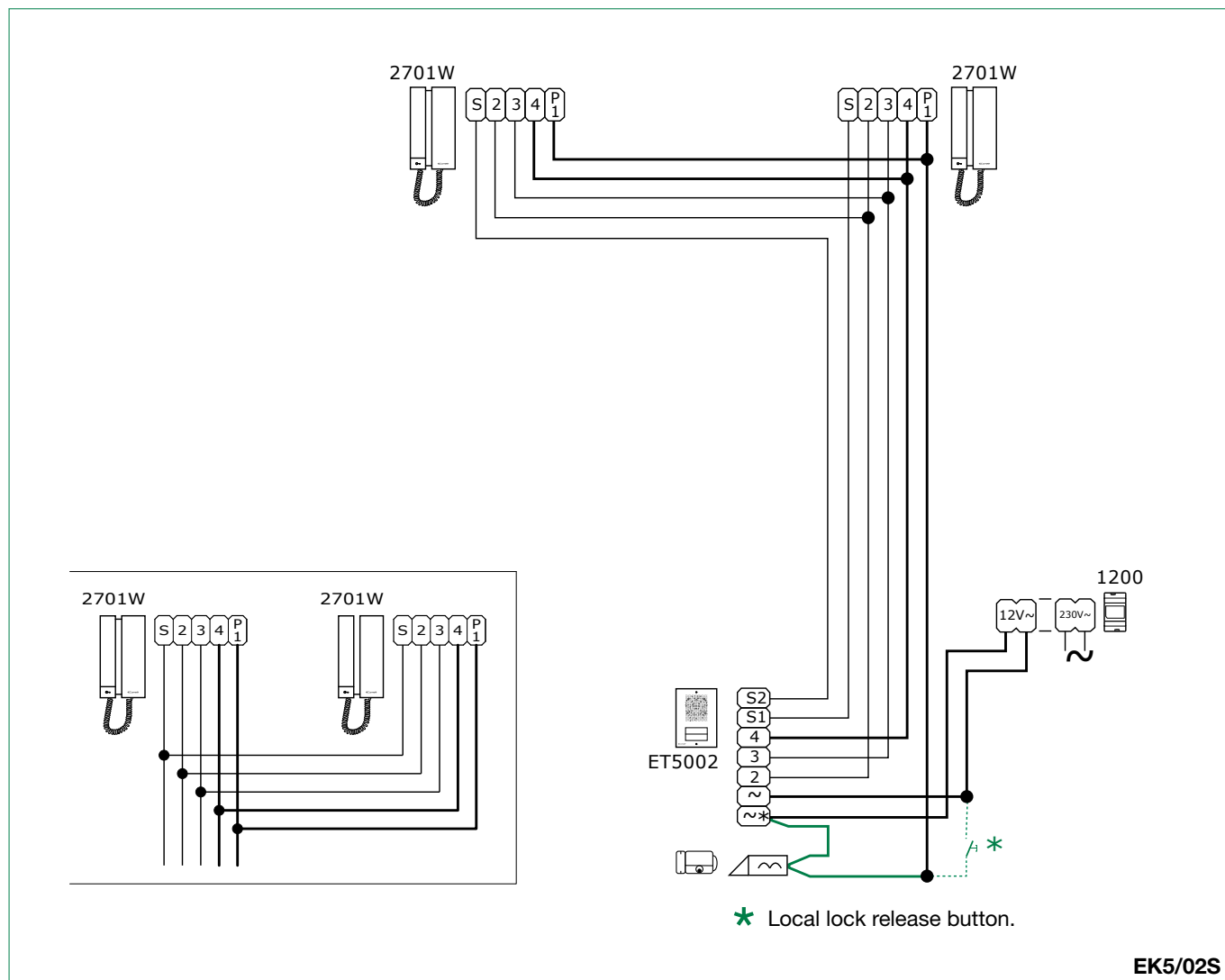
# Installation





# Operating distances and standard diagram

Wiring diagram for standard system and 1 additional door-entry phone connection variant



## Operating distances

1 mm <sup>2</sup>	1,5 mm <sup>2</sup>	1,5 mm <sup>2</sup>
200 m	200 m	80 m

0,8 mm <sup>2</sup>	1 mm <sup>2</sup>	1 mm <sup>2</sup>
150 m	150 m	30 m

0,5 mm <sup>2</sup>	0,8 mm <sup>2</sup>	0,8 mm <sup>2</sup>
50 m	50 m	10 m



CERTIFIED MANAGEMENT SYSTEMS



[www.comelitgroup.com](http://www.comelitgroup.com)

Via Don Arrigoni, 5 - 24020 Rovetta (BG) - Italy

