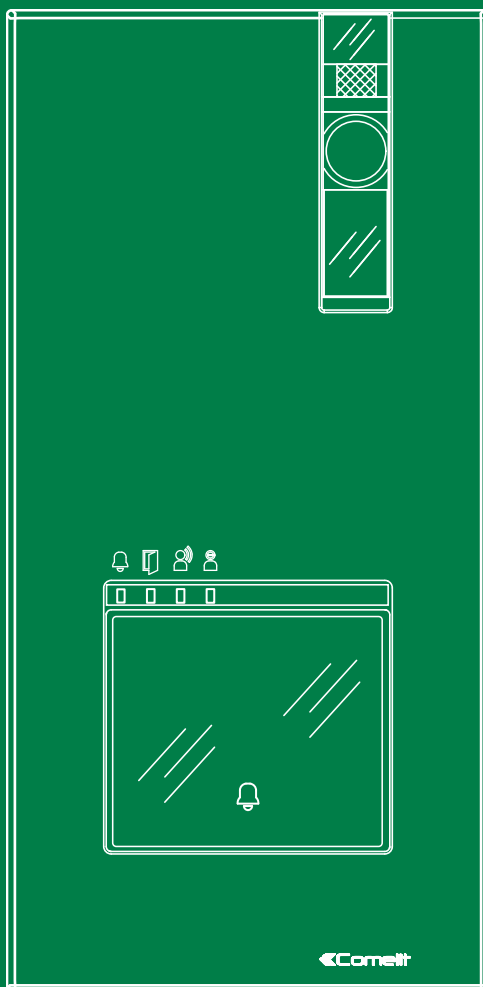


EN

TECHNICAL
MANUAL



External unit
Quadra 4893M

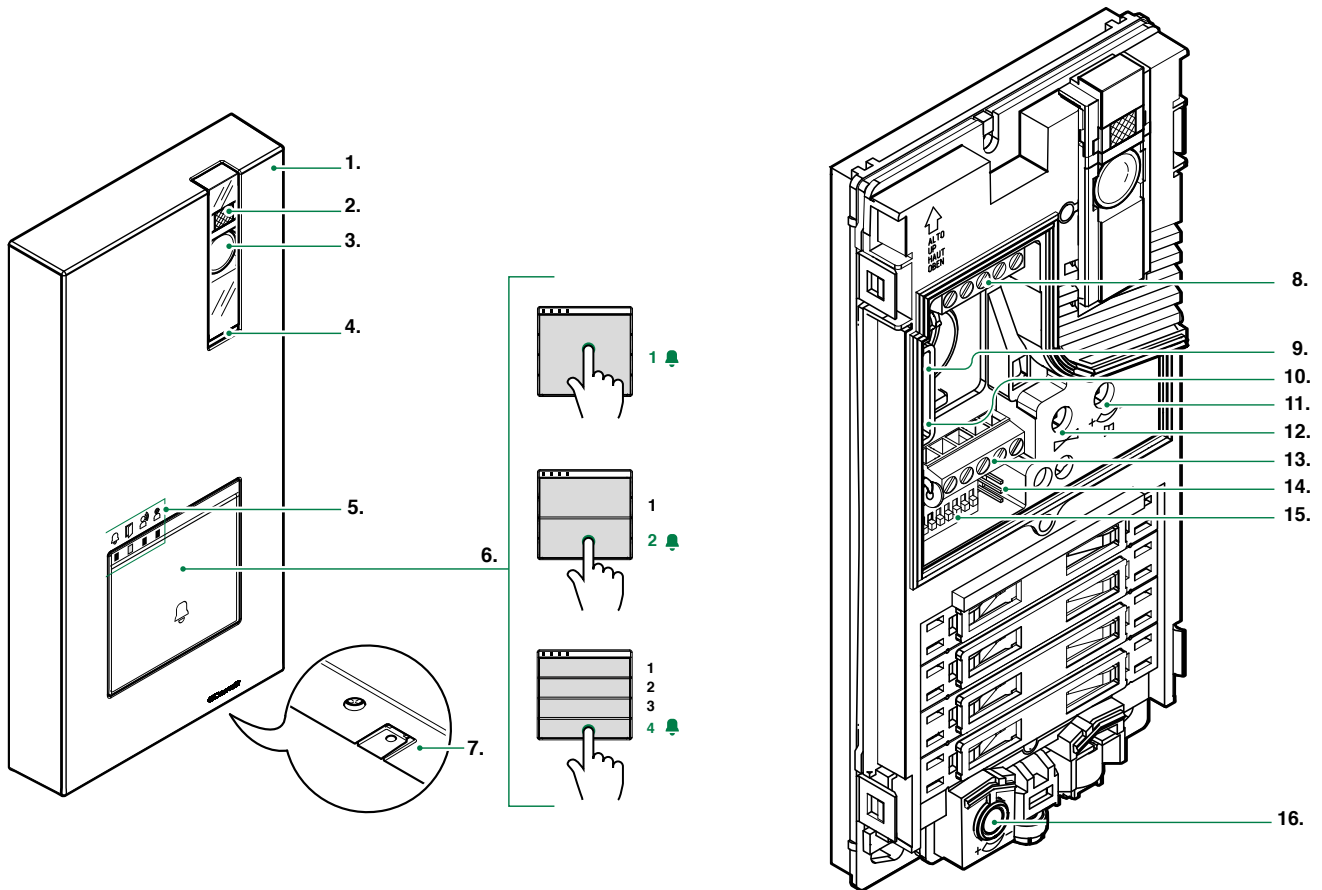
 **Comelit**[®]
Passion. Technology. Design.

Table of contents



Description	3
Technical features	4
Changing nameplates.....	4
Installation	5
Settings	6
Programming	7
Call address programming for 2/4 users and additional external unit	7
Operation with additional external units.....	8
Operation with switching device Art. 1404 (default)	8
Operation with switching device art. 1405.....	8
Programming a generic call address	9
Disabling the COM-RTE contact	9
Connections	10
Door open indication use variant.....	10
Variant for using a safety door lock and additional power supply	10
Using the RC network for door lock filter on relay contacts	10
System performance and layouts	10

Description



- 1. Die-cast aluminium cover
- 2. Camera lighting LED set by default to activate in response to a call (can be disabled by setting DIP 7 to ON, see [Settings](#))
- 3. Wide-angle colour camera
- 4. Loudspeaker
- 5. Indicator LED
 - call sent / lock-release activated
 - audio active / system busy
- 6. Call button 1 / 2 / 4 users
- 7. Microphone

- 8. Terminal block **M1**
 - LL** bus line connection
 - RTE** request to exit button input
 - COM** common input for RTE and DO contacts
 - DO** door open indication input
- 9. **PR** programming input/output switch
- 10. **CNF** programming confirmation switch
- 11. Loudspeaker volume control
- 12. Audio balance
- 13. Terminal block **M2**
 - SE- SE+** connection for electric door lock
 - NC** relay normally closed contact
 - NO** relay normally open contact
 - C** relay common contact
- 14. **JP1** enabling the RC network for door lock filter on relay contacts
- 15. **DIP-SWITCH** for function programming
- 16. Microphone volume control

Technical features

MAIN FEATURES

Type	Single-piece entrance panel
Material	Die-cast aluminium
Audio/video systems	Yes
Surface-mounted	Yes
Camera	Colour
Diagonal angle of view (°)	100
Camera sensor	1/4" CMOS
Minimum colour lighting (lux)	1
Lens size (mm)	2.1
Power supply	Bus
Maximum current absorption (mA)	250
Terminals	LL RTE COM DO SE- SE+C NC NO
Call with buttons	Yes
Total buttons	4
Microphone volume control	Yes
Loudspeaker volume control	Yes
Operating temperature (°C)	-25 +55
IP protection rating	IP54
Anti-vandal protection rating	IK08
Backlighting colour	White

HARDWARE CHARACTERISTICS

Visual indications	Yes
Acoustic indications	Yes

GENERAL DATA

Product height (mm)	195
Product width (mm)	95
Product depth (mm)	28

COMPATIBILITY

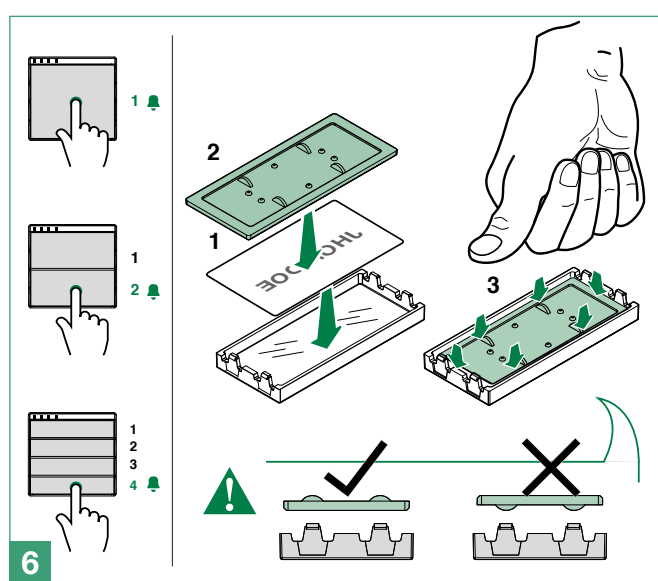
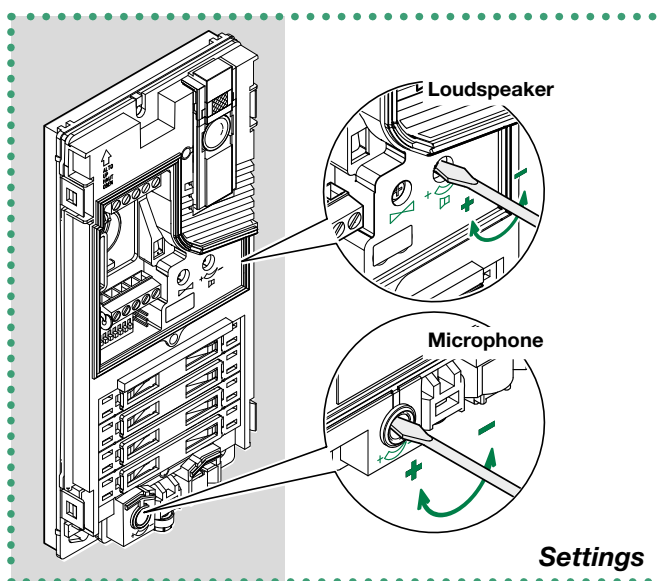
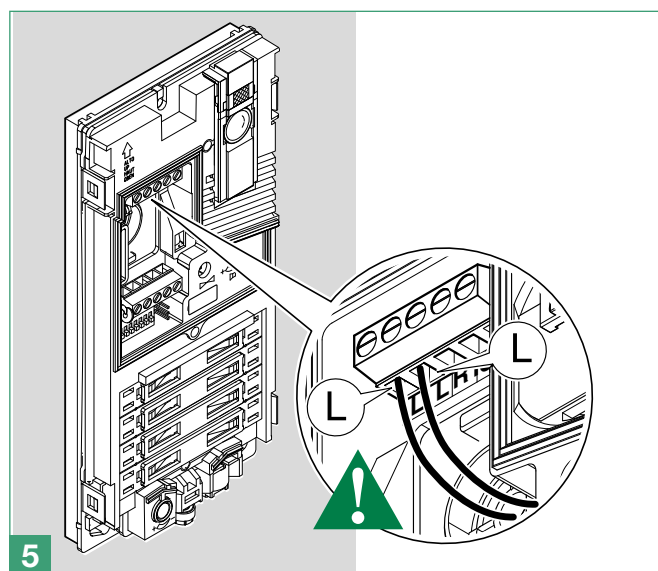
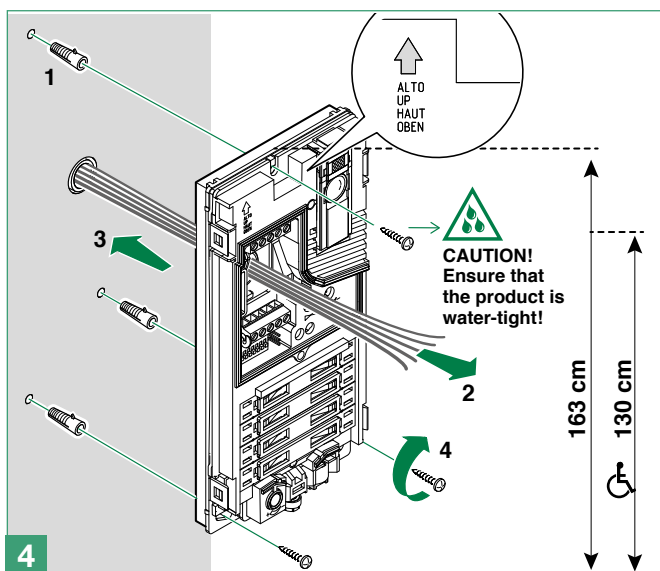
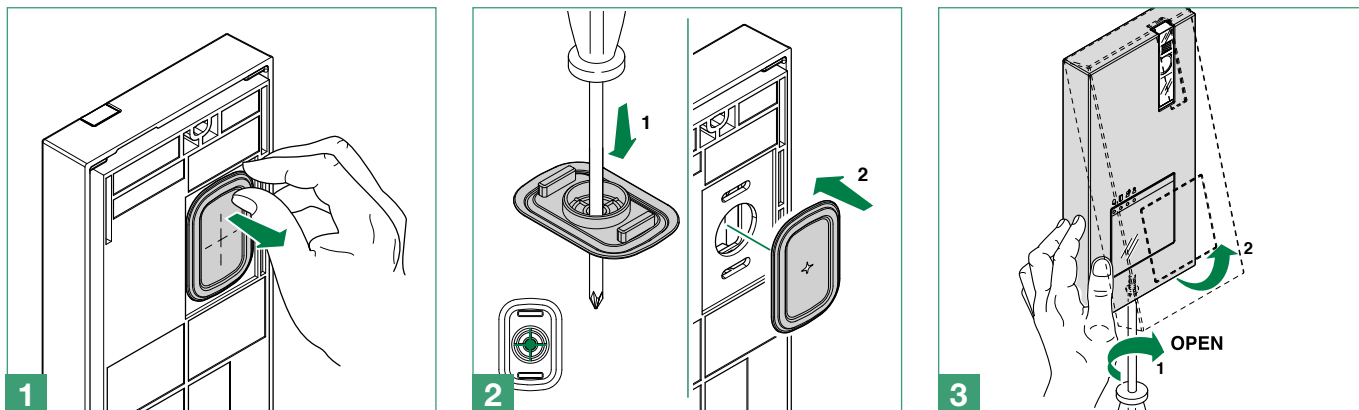
Audio/Video kit system	Yes
------------------------	-----

ELECTRICAL SPECIFICATIONS

Lock-release relay contact	Yes
----------------------------	-----

Installation

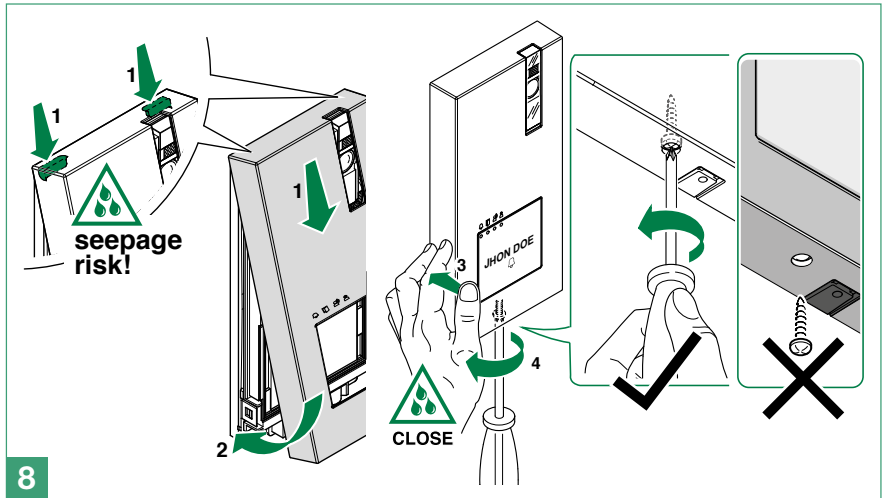
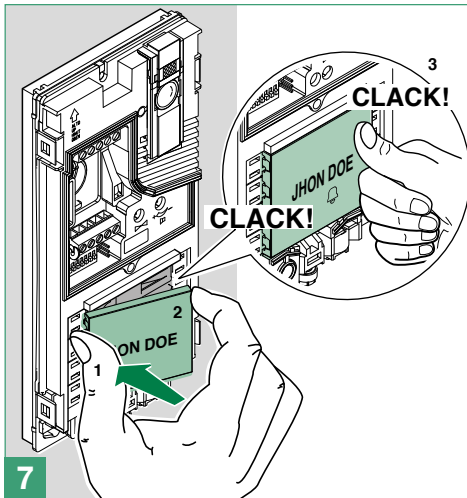
i The camera must not be installed in front of light sources, or in places where the filmed subject is against the light. In dim environments, we recommend additional lighting is provided.



i You can download the free software (art. 1235A) to print the entrance panel name cards, using the adhesive pre-cut sheets available in our catalogue (art. 1217A).

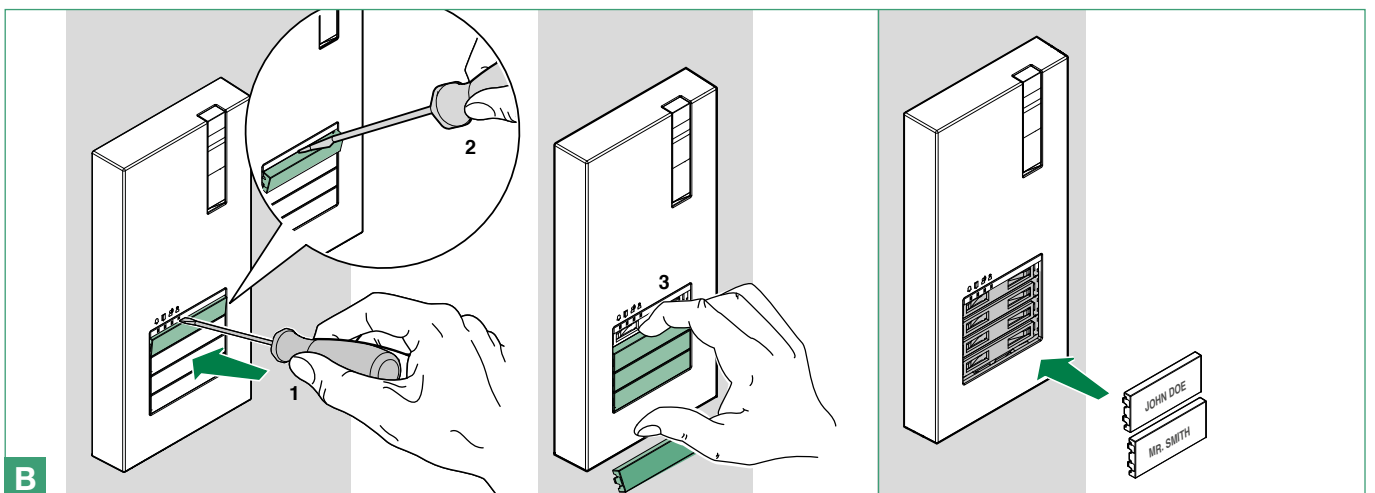
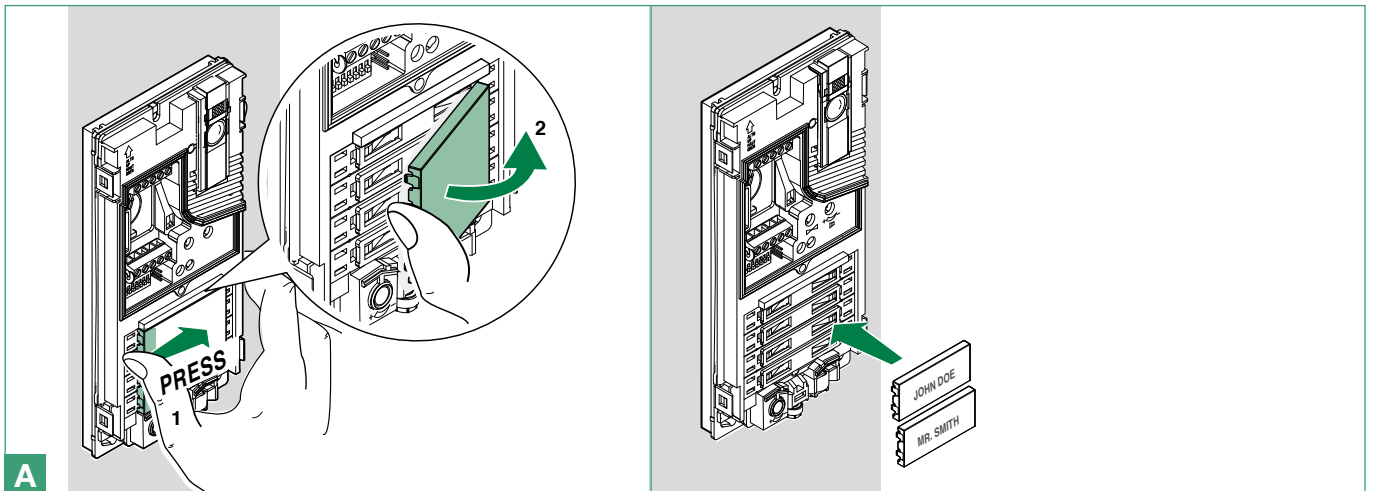


- Before securing the screw, make sure that you do not need to program the external unit and make sure that the metal front panel does not rub against other metal parts, with consequent risk of damage to its insulating coating.
- While the system is running, take care not to accidentally call users when replacing the nameplate labels.



To ensure that the product remains water-tight, make sure that the fixing procedure is carried out correctly.

Changing nameplates



Settings

Set the DIP-switches of S1 corresponding to the function that you want to programme as shown in the table below.

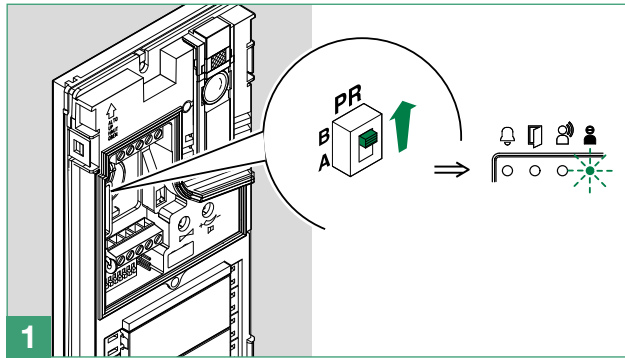
DIP-SWITCH		FUNCTION
DIP 1		The lock-release relay and the second relay are controlled by 2 separate buttons (e.g. lock-release button and actuator button)
		The lock-release relay and the second relay are controlled by a single button (e.g. lock-release button)
DIP 2		lock-release activation time: 8 sec
		lock-release activation time: 2 sec
DIP 3		relay activation time: 8 sec
		relay activation time: 2 sec
DIP 4		reset wait time: 1 sec
		reset wait time: 10 sec
DIP 5		Call transmission: triple
		Call transmission: single
DIP 6		confirmation tones (call, lock-release, relay, audio enabled): disabled
		confirmation tones (call, lock-release, relay, audio enabled): enabled
DIP 7		Camera lighting LED: disabled
		Camera lighting LED: enabled
DIP 8		LED lighting of name-holder front panels: OFF
		LED lighting of name-holder front panels: ON

* default

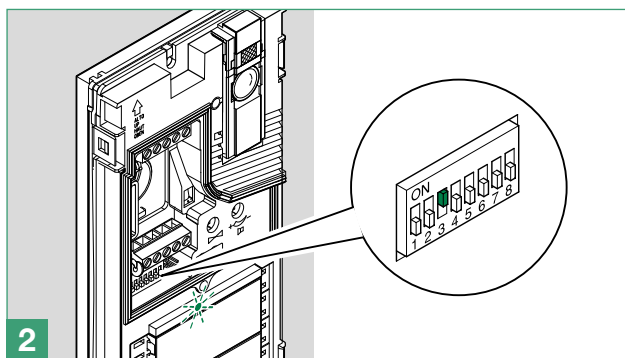
Programming

Call address programming for 2/4 users and additional external unit

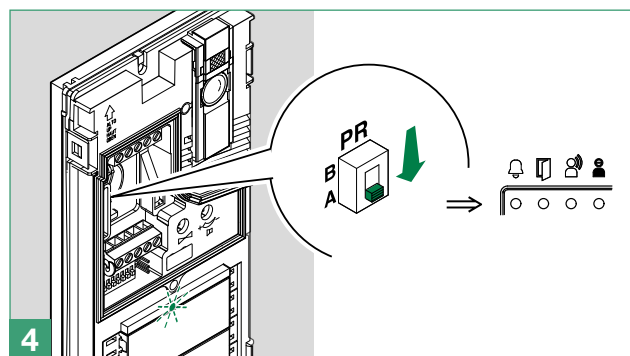
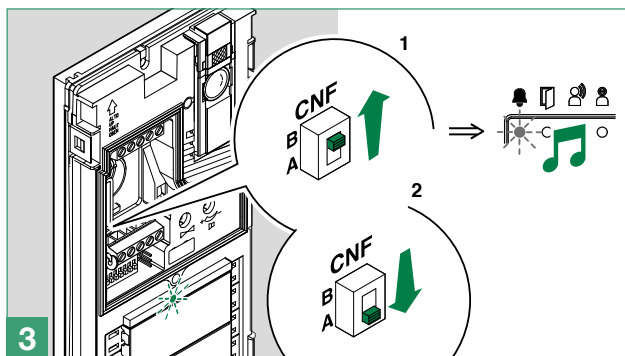
Take note of the DIP-switch settings. Enter programming mode.



On the DIP-switch, set the code corresponding to the function you want to program as shown in the table.



CODE	DIP-SWITCH ON	FUNCTION
1	1	Button 1 enabled with call address 1 (default)
2	2	Buttons 1-2 enabled with call addresses 1-2
4	3	Buttons 1-2-3-4 enabled with call addresses 1-2-3-4
8	4	Single external unit Quadra, or additional external unit connected with digital switching device art. 1404 (default condition)
16	5	Secondary Quadra with digital switching device art. 1405
32	6	Main Quadra with digital switching device art. 1405
254	2,3,4,5,6,7,8	Restore default



Reset the configuration of the DIP-switches

Operation with additional external units

- **External unit with switching device art. 1404:** default programming to be used with *single external unit* or with multiple external units connected with switching device art. 1404.
- **Secondary external unit:** function to be used in systems with switching device art. 1405 and 2 external units.
- **Main external unit:** function to be used in systems with switching device art. 1405 and 2 external units.

Operation with switching device 1404 (default)

i With the switching device 1404 it is possible to install 2 or more external units.

In the configuration of art. 1404, the MIN and MAX DIP-switches define respectively the lowest and highest user codes which can be connected to the riser. For information on setting the desired values, refer to the [addressing table](#).

Separate switching devices for different risers must manage code ranges which are not overlapping.

The **self-ignition** command will activate the camera of the external unit. Further **self-ignition** commands will toggle between 2 (max) external units, activating them alternately.

For the diagrams, please refer to the dedicated online [audio/video kit](#) section.

Operation with switching device 1405

i With the switching device 1405 it is possible to install only 1 main external unit and 1 secondary external unit.

In “**Main external unit**” mode, lock-release (or actuator) commands are only executed if the external unit is in call or self-ignition mode. The "door-open" function is always deactivated.

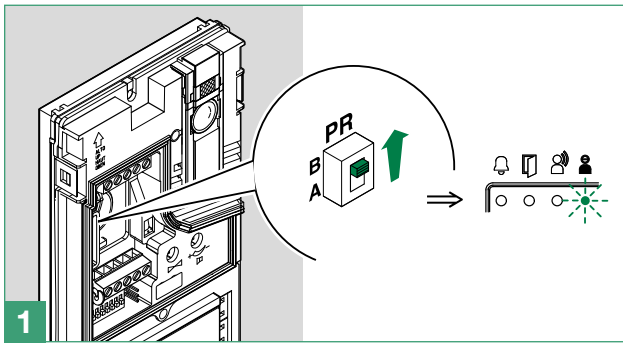
In “**Secondary external unit**” mode, lock release (or actuator) commands are executed if the system is in standby mode or if the external unit is active.

If the system is in standby mode the first **self-ignition** command will activate the camera of the secondary external unit. Further commands will toggle between 2 (max) external units, activating alternately the main external unit and the secondary external unit.

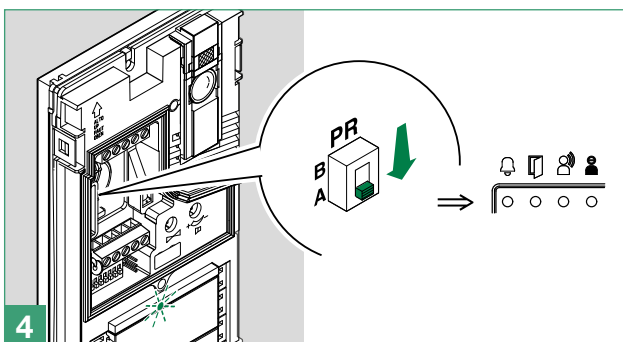
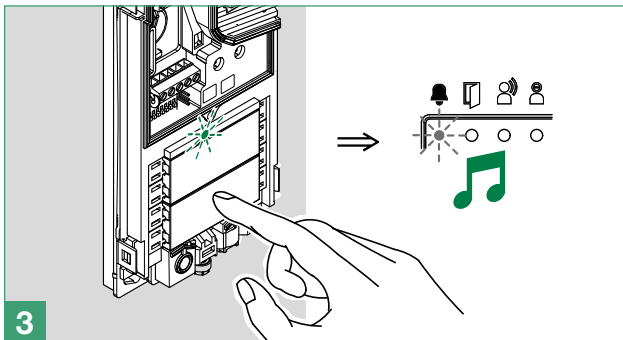
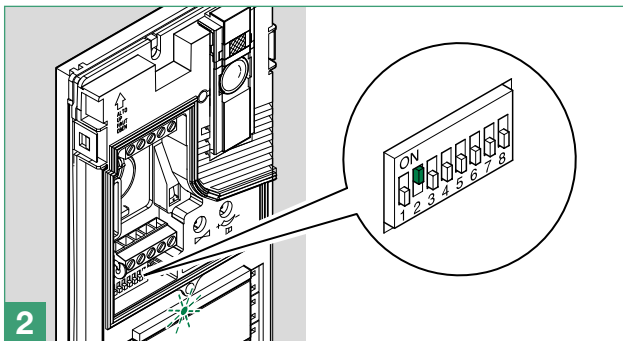
For the diagrams, please refer to the dedicated online [audio/video kit](#) section.

Programming a generic call address

Take note of the DIP-switch settings. Enter programming mode.



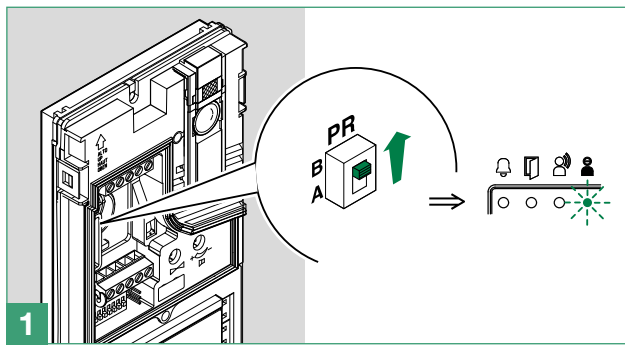
Set the user code using the DIP-switches in accordance with the [addressing table](#)



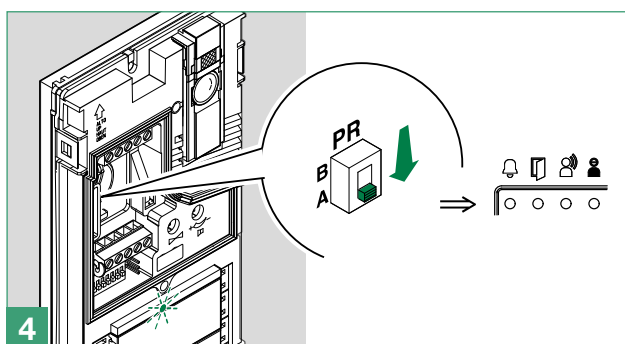
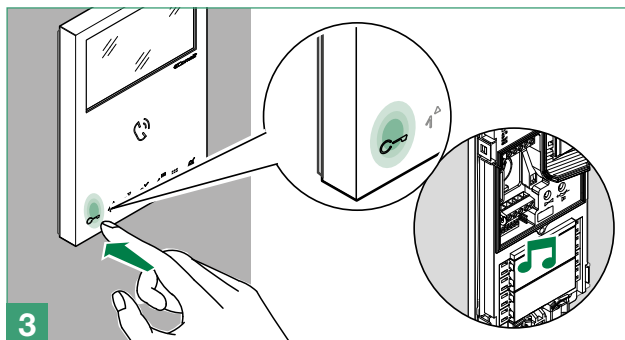
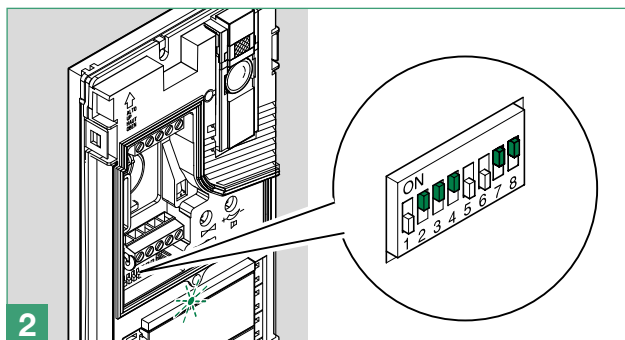
Reset the configuration of the DIP-switches.

Disabling the COM-RTE contact

Take note of the DIP-switch settings. Enter programming mode.



Set the DIP-switches to position 206 (ON 2,3,4,7,8) in accordance with the [addressing table](#)

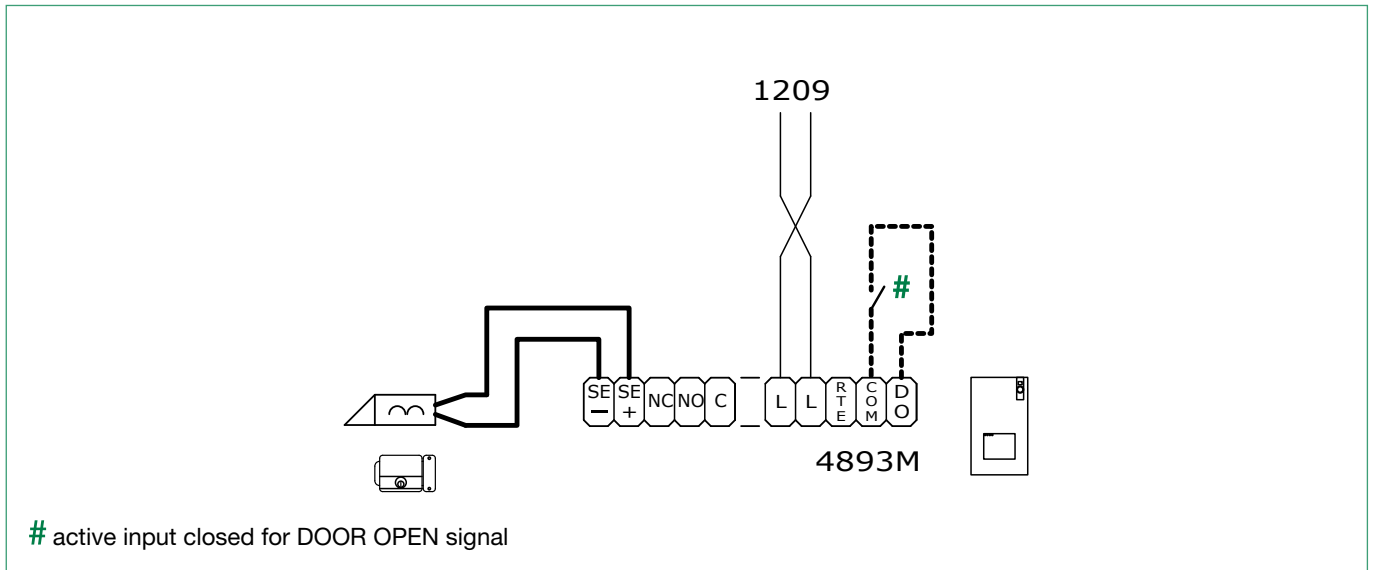


Reset the configuration of the DIP-switches.

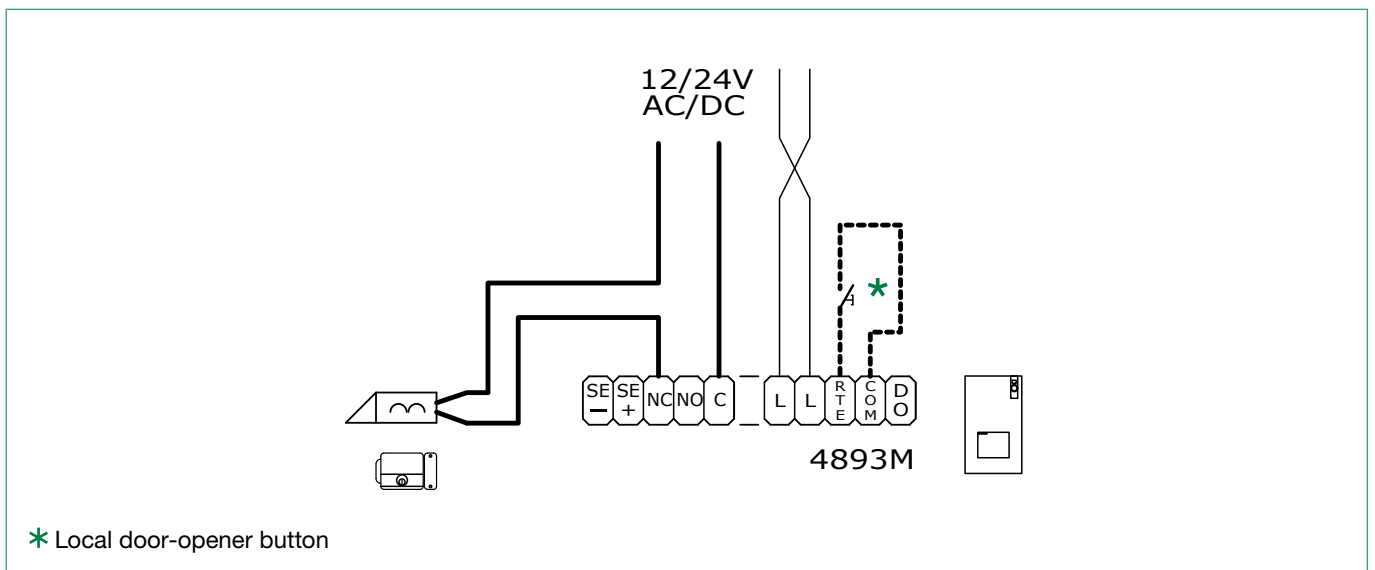
i *To re-enable the function, repeat the procedure.*

Connections

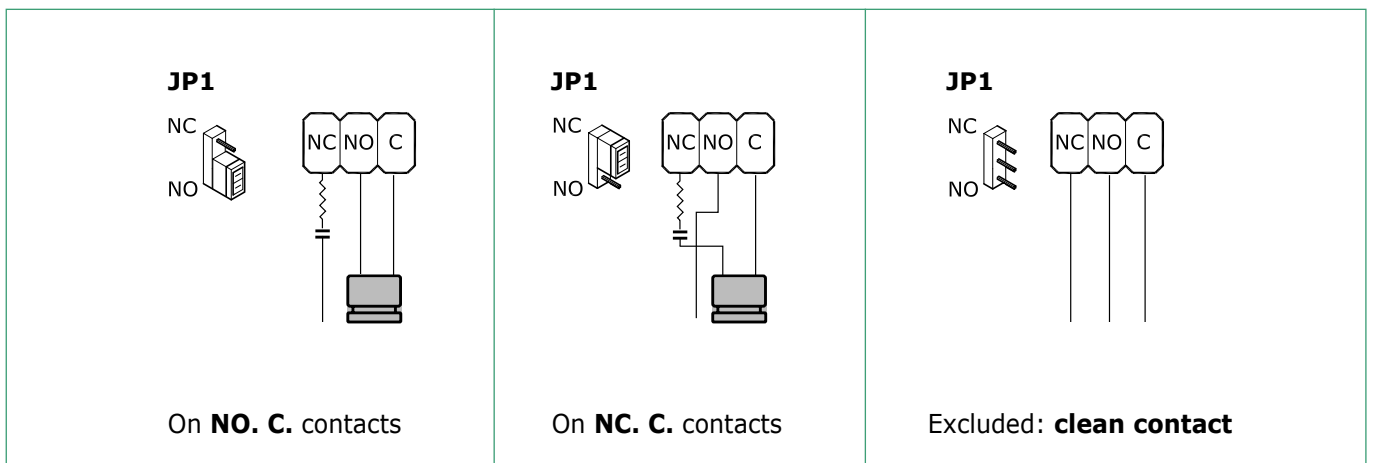
Door open indication use variant



Variant for using a safety door lock and additional power supply



Using the RC network for door lock filter on relay contacts



System performance and layouts

For further information of system performance and to view installation layouts:

- [Audio/video kit](#) for the creation of audio-video systems for individual residences.

CERTIFIED MANAGEMENT SYSTEMS



www.comelitgroup.com

Via Don Arrigoni, 5 - 24020 Rovetta (BG) - Italy

 **Comelit**[®]
Passion. Technology. Design.