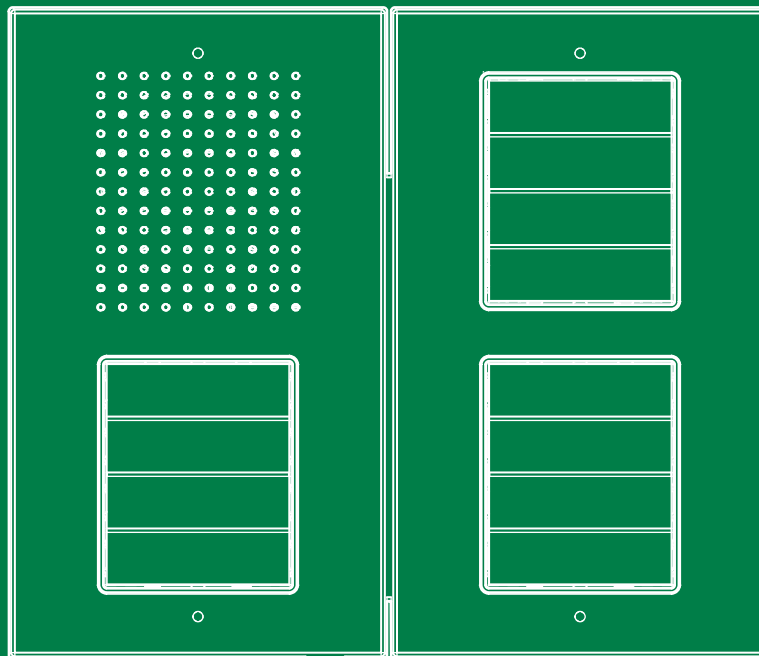


EN

TECHNICAL
MANUAL



Ciao Series Entrance panel
Art. CA2100P-CA2200P

 **Comelit**[®]
Passion. Technology. Design.

Warning

Intended use

This Comelit product was designed for use in the creation of audio and video communication systems in residential, commercial or industrial settings and in public buildings or buildings used by the public.

Installation

All activities connected to the installation of Comelit products must be carried out by qualified technical personnel, with careful observation of the indications provided in the Manuals / Instruction sheets supplied with those products.

Wires

Cut off the power supply before carrying out any maintenance procedures.

Use wires with a cross-section suited to the distances involved, observing the instructions provided in the system manual.

We advise against running the system wires through the same duct as the power cables (230V or higher).

Safe usage

To ensure Comelit products are used safely:

- carefully observe the indications provided in the Manuals / Instruction sheets
- make sure the system created using Comelit products has not been tampered with / damaged.

Maintenance

Comelit products do not require maintenance aside from routine cleaning, which should be carried out in accordance with the indications provided in the Manuals / Instruction sheets.

Any repair work must be carried out

- for the products themselves, exclusively by **Comelit Group S.p.A.**,
- for systems, by qualified technical personnel.

Disclaimer

Comelit Group S.p.A. does not assume any responsibility for

- any usage other than the intended use
- non-observance of the indications and warnings contained in this Manual / Instruction sheet.

Comelit Group S.p.A. nonetheless reserves the right to change the information provided in this Manual / Instruction sheet at any time and without prior notice.

Table of contents

Warning	2
Description.....	3
Art. CA2100P.....	3
Art. CA2200P.....	4
Technical features	5
Art. CA2100P.....	5
Art. CA2200P.....	5
Installing entrance panel Art. CA2100P.....	6
Changing nameplates	6
Installing entrance panel Art. CA2100P with button module Art. CA2200P	7
Connections.....	9
Variants	9
Call button addressing.....	10
Special programmes	12
Operating notes	13
System performance and layouts	13
Addressing table.....	14

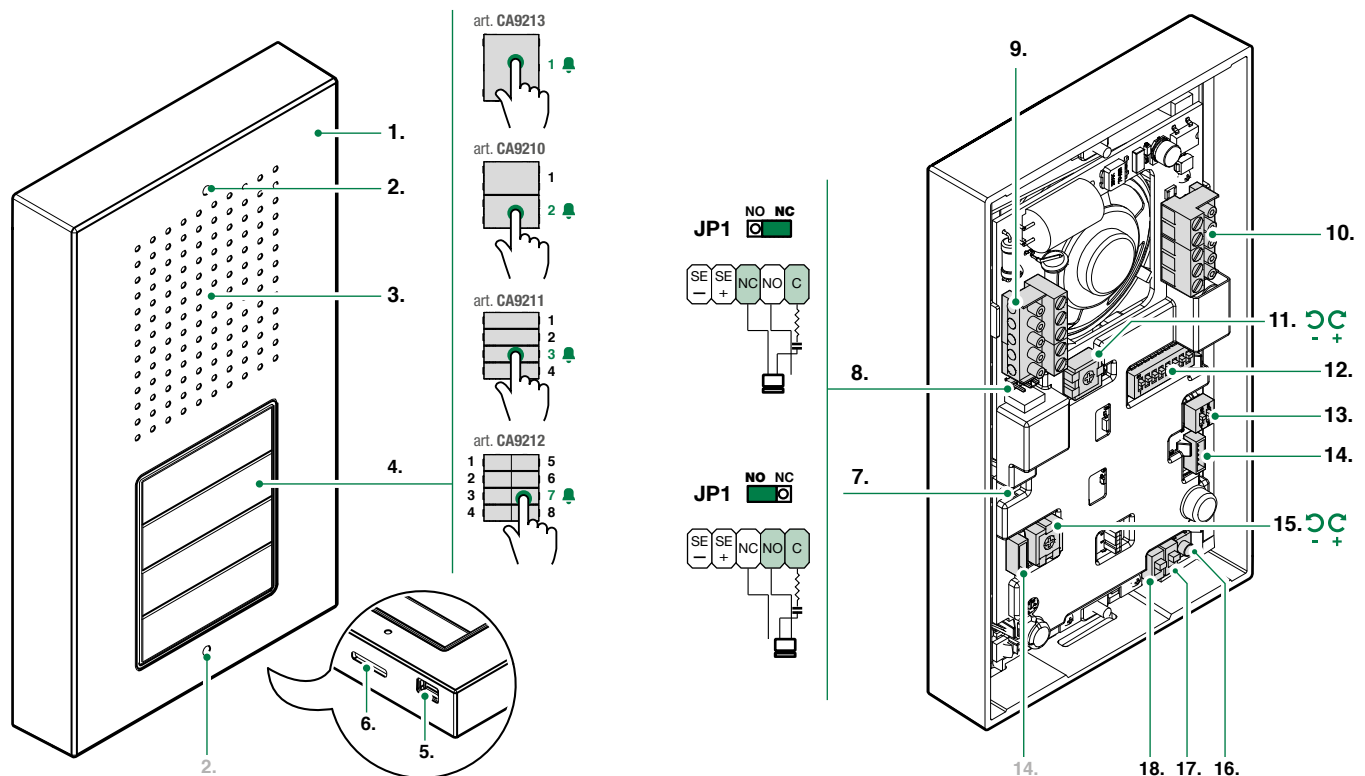
Description

Ciao Series modular entrance panel with die-cast aluminium front cover and nameplates with white LED backlighting. To be finished with 1/2/4/8 call buttons, available to purchase separately.

Featuring a Smart button programming mode. Supplied with a surface-mount installation support.

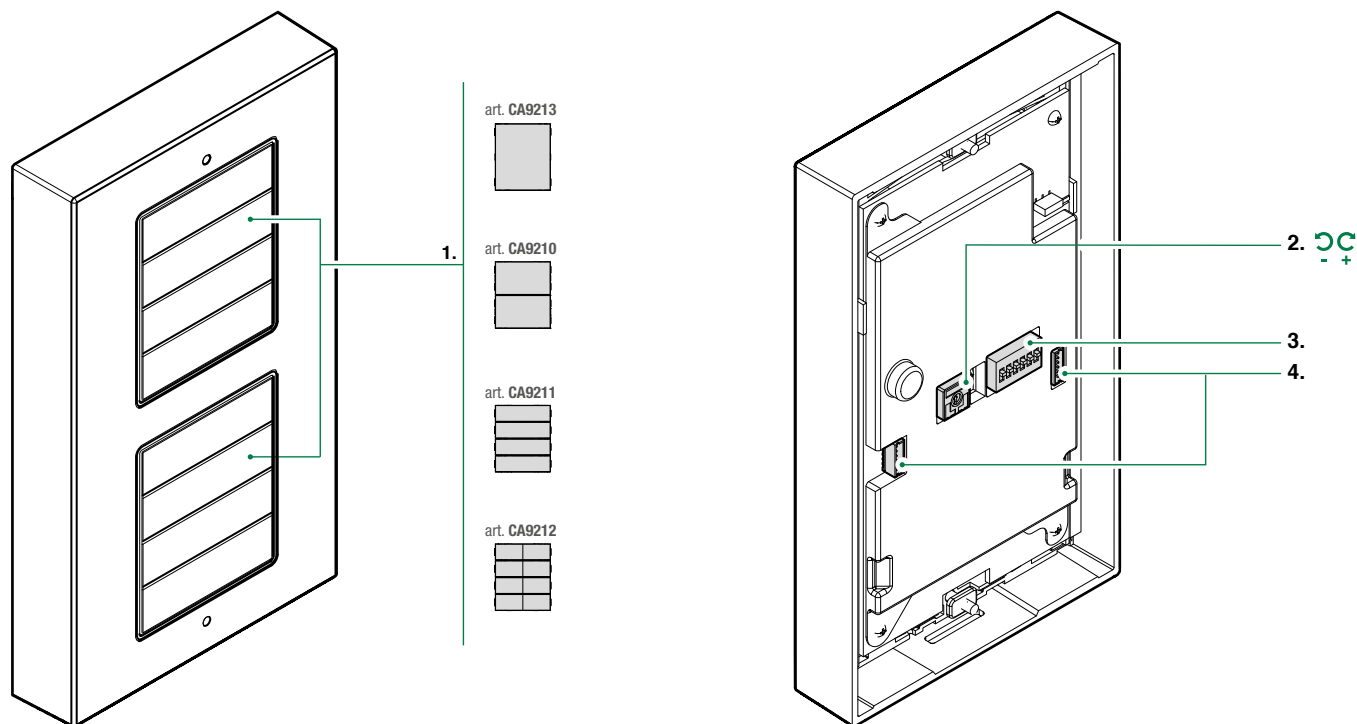
Entrance panel art. **CA2100P** can be used alongside up to 4 button modules art. **CA2200P** (both horizontally and vertically) to reach a maximum of 72 call buttons.

Art. CA2100P



- 1. Die-cast aluminium cover
- 2. Faceplate fixing screw holes
- 3. Loudspeaker
- 4. Call buttons 1 / 2 / 4 / 8 users (available to purchase separately)
- 5. Microphone
- 6. Condensation drainage hole
- 7. **CV2** jumper to be removed when switching off the button lighting
- 8. **JP1** enabling the RC network for door lock filter on relay contacts
- 9. Terminal block for **J4** connection:
SE- SE+ connection for electric door lock
NC NO C relay contacts
- 10. Terminal block for **J3** connection
L L bus line connection
COM RTE and DO reference negative
DO door open indication
RTE request to exit button
- 11. **LED** button brightness control trimmer
- 12. **S2** dip switch for button addressing and special function programming
- 13. **S1** dip switch for button type configuration (1 / 2 / 4 / 8 users)
- 14. **J2** and **J5** 6-pole connectors for button module connection
- 15. **SPK** loudspeaker volume adjustment trimmer
- 16. **SW1** programming confirmation button
- 17. **PRC** call address programming input/output switch
- 18. **PRS** special programming input/output switch

Art. CA2200P



1. Call buttons 1 / 2 / 4 / 8 users (available to purchase separately)
2. **TM1** button brightness control/switch off trimmer
3. **S1** dip switch for button type configuration (1 / 2 / 4 / 8 users) and button module addressing
4. **J1** and **J2** 6-pole connectors for Art. CA2100P / CA2200P connection

Technical features

Art. CA2100P

MAIN FEATURES

Type of power supply	BUS
Power supply voltage	27÷34 Vdc (BUS)
Min. absorption (W)	1.7W
Max. absorption (W)	7.6W
Terminals	L L COM DO RTE C NO NC SE+ SE-
Removable terminals	Yes
Microphone	electret
Loudspeaker	8ohm 0.2W
Loudspeaker volume control	Yes
Brightness control	Yes
IP rating	IP 54
IK rating	IK 08
Operating temperature	-25 °C ÷ +55 °C
Operating relative humidity	25 ÷ 75%
Width	100 mm
Height	172 mm
Depth	28 mm

COMPATIBILITY

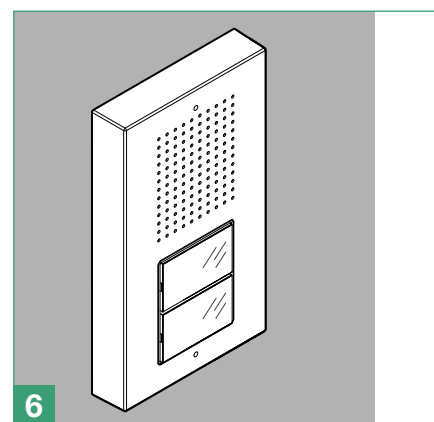
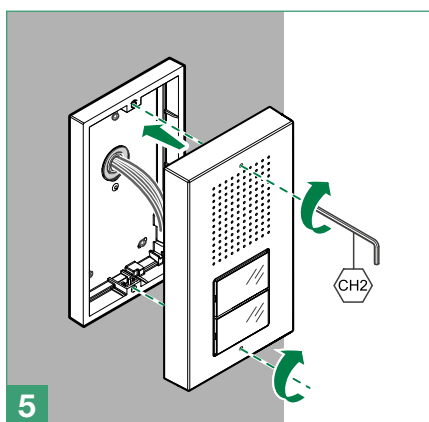
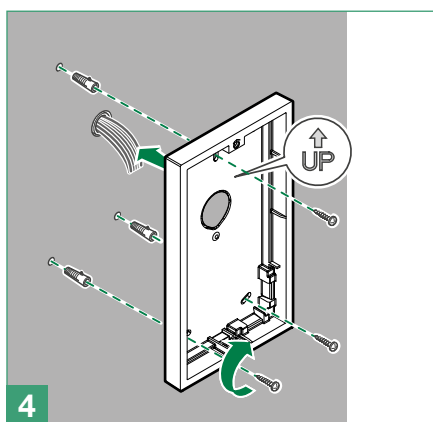
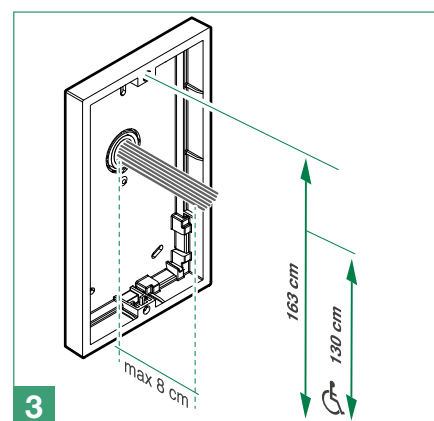
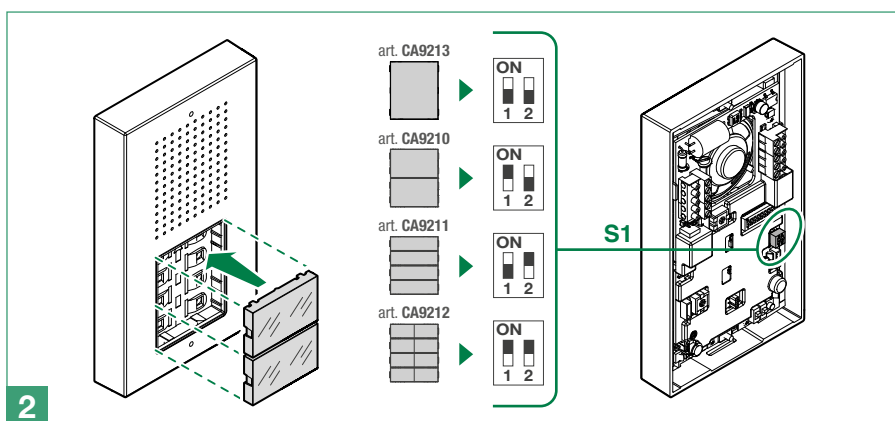
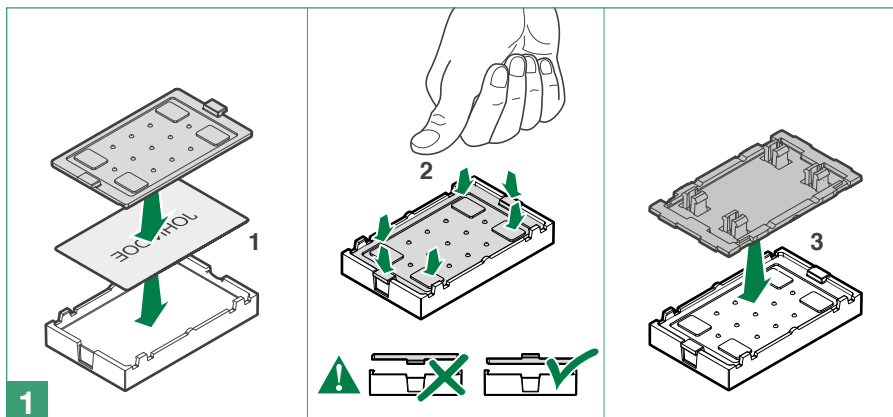
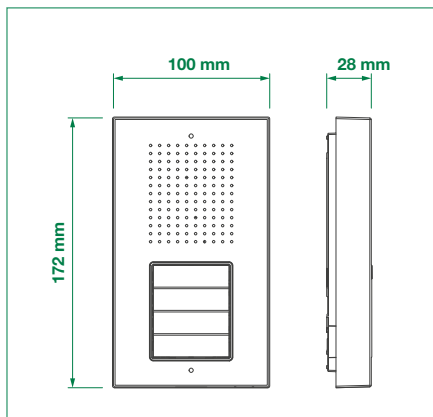
SB2 Audio System	Yes
-------------------------	-----

Art. CA2200P

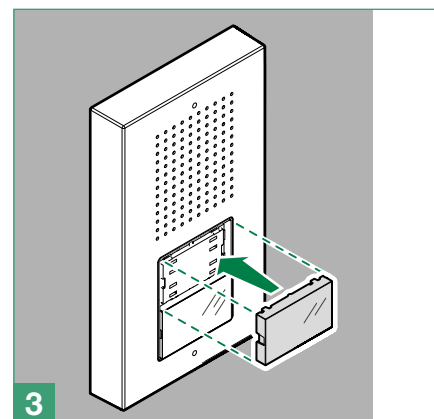
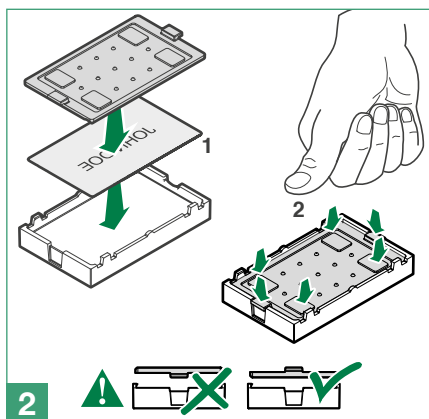
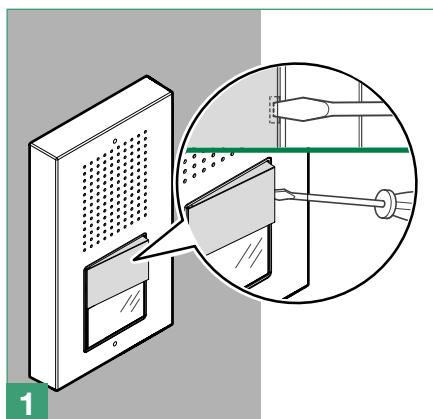
MAIN FEATURES

Type of power supply	BUS
Power supply voltage	27÷34 Vdc (BUS)
Min. absorption (W)	0.62W
Max. absorption (W)	0.62W
Brightness control	Yes
IP rating	IP 54
IK rating	IK 08
Operating temperature	-25 °C ÷ +55 °C
Operating relative humidity	25 ÷ 75%
Width	100 mm
Height	172 mm
Depth	28 mm

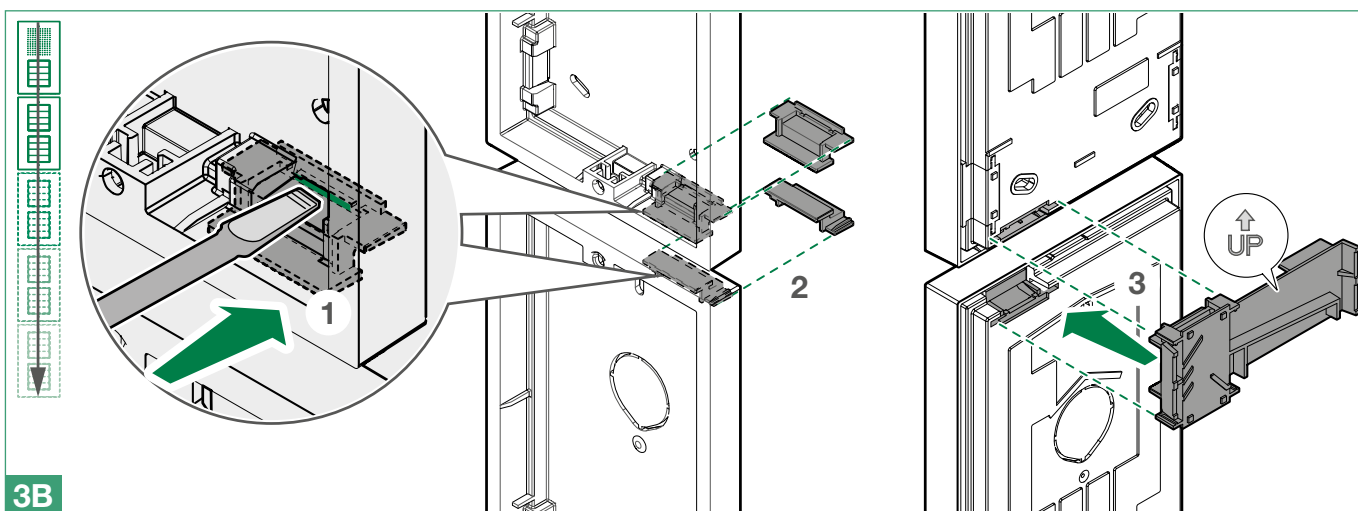
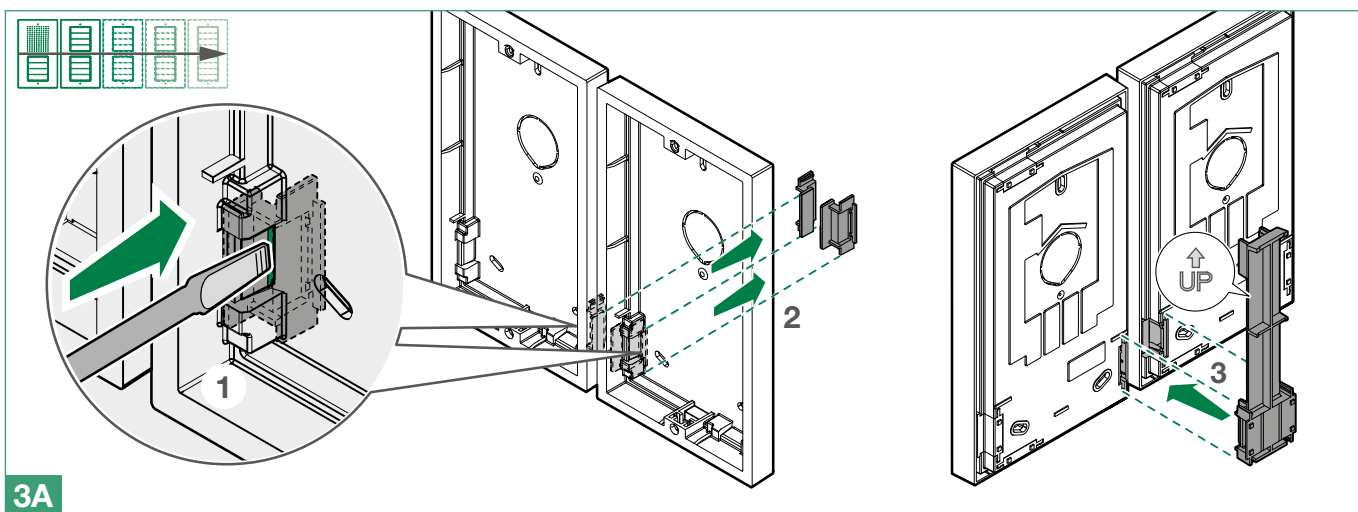
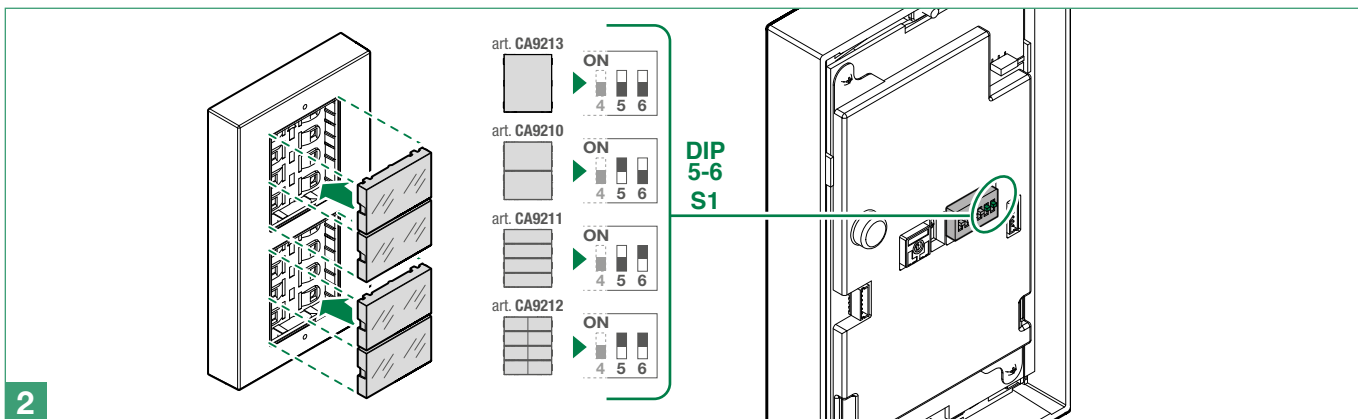
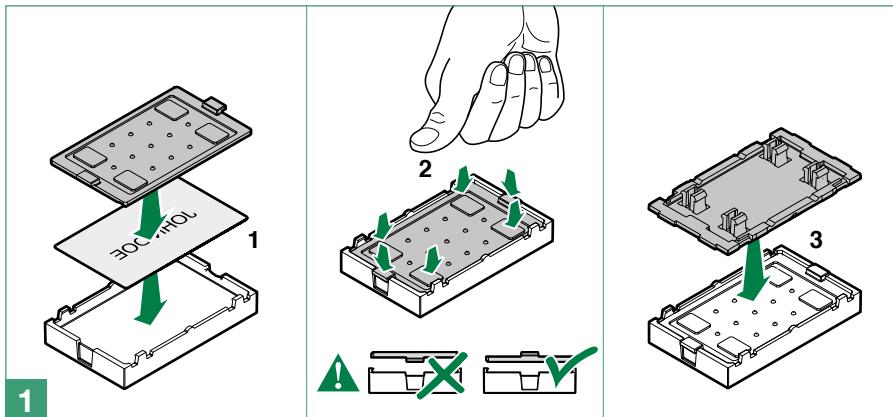
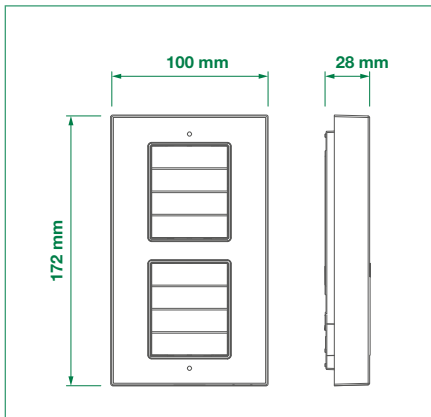
Installing entrance panel Art. CA2100P



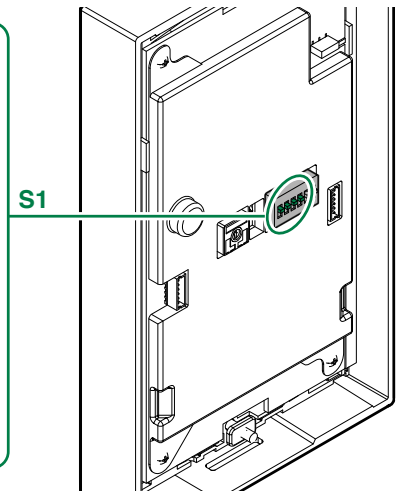
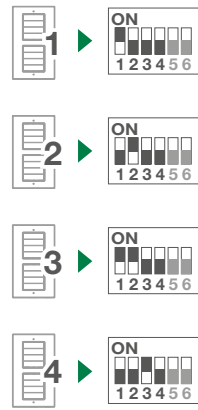
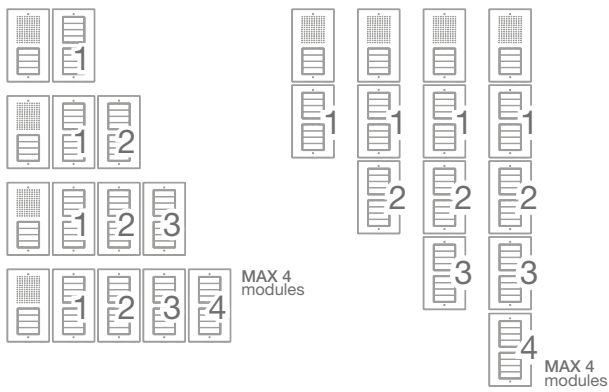
Changing nameplates



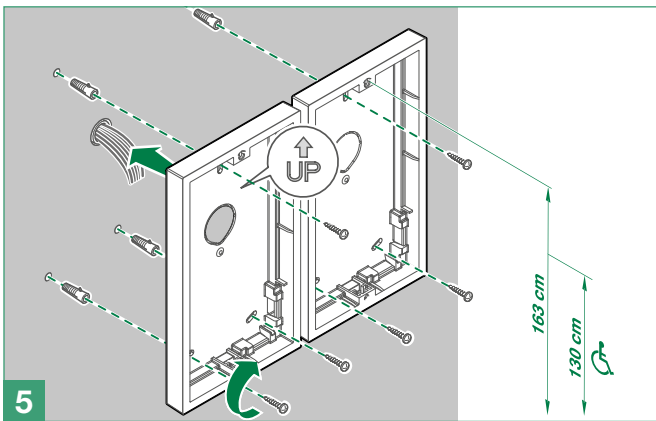
Installing entrance panel Art. CA2100P with button module Art. CA2200P



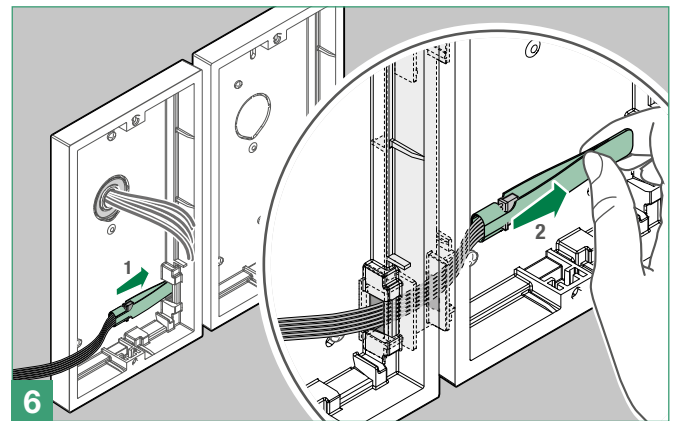
The addressing of button modules allows, if a module Art. CA2200P is replaced, just the address of the replaced module Art. CA2200P to be programmed, without having to reprogram all the buttons.



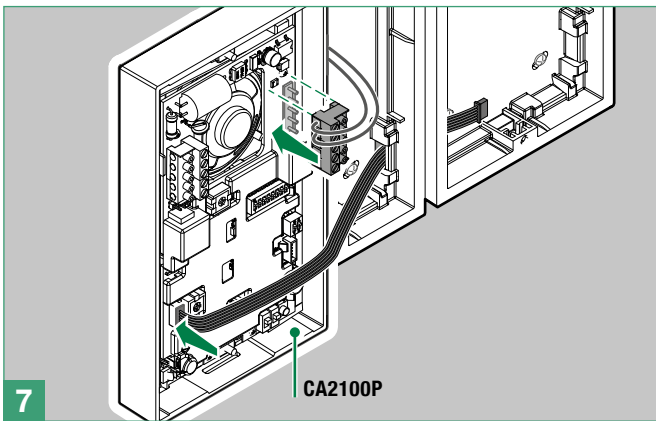
4



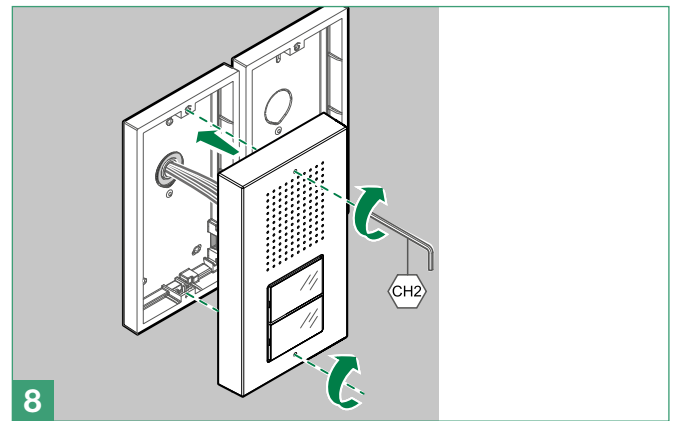
5



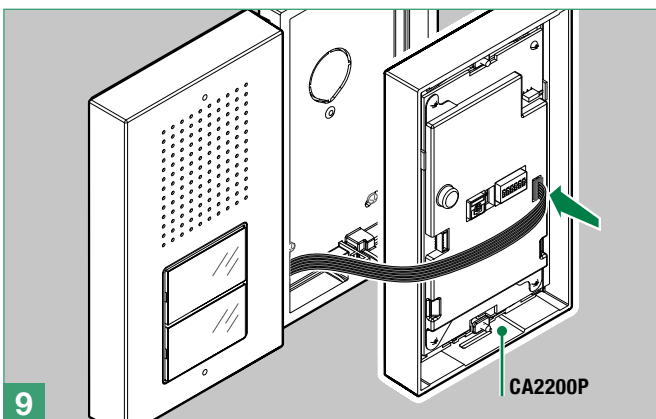
6



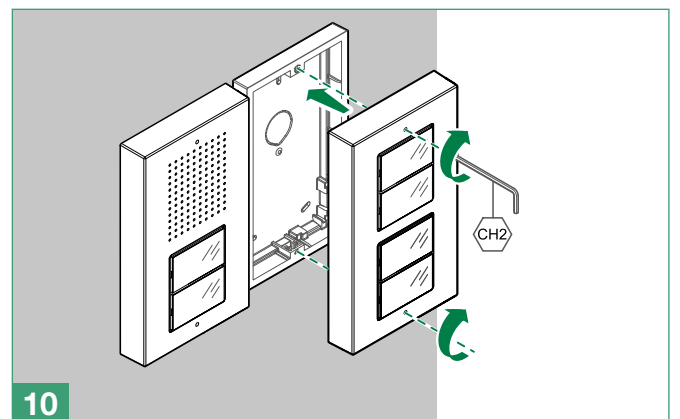
7



8

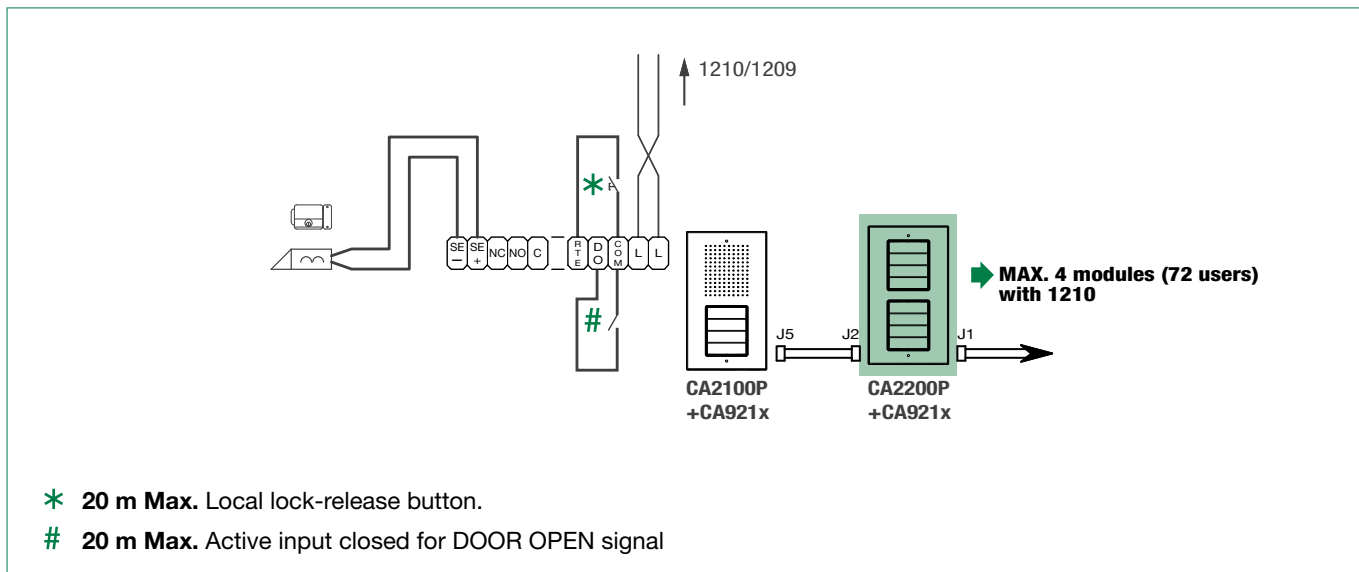


9



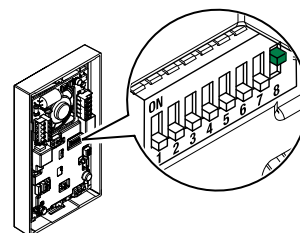
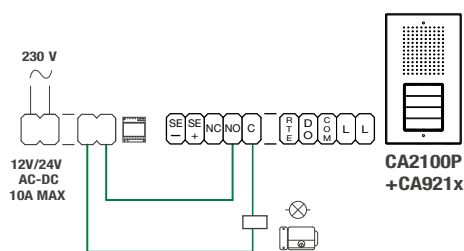
10

Connections



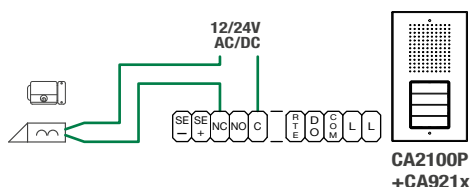
Variants

Variant for using the external unit relay

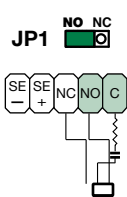
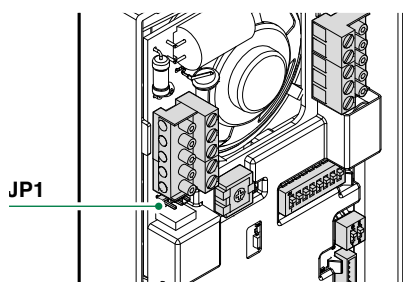


“C.NC.NO relay activation on actuator command: 2 sec”
Set the dip switches permanently as shown in the figure

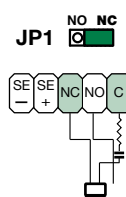
Variant for using a safety lock



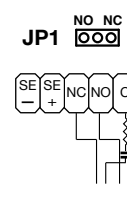
JP1 enabling the RC network for door lock filter on relay contacts



On C. NO. contacts

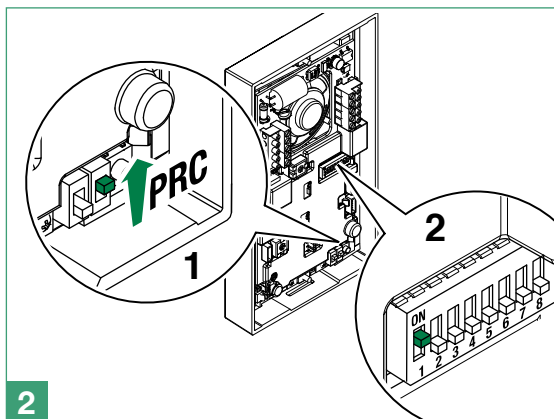
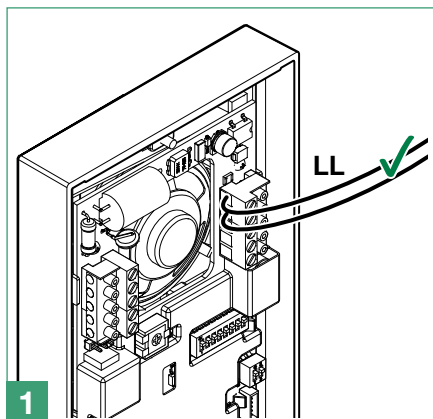


On C. NC. contacts



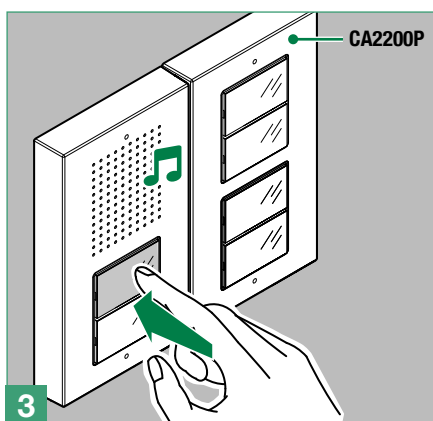
Excluded: voltage-free contact

Call button addressing



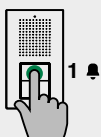
Set the address of the apartment you want to call using the dip switches (see [Addressing table](#)).

Example: code 1

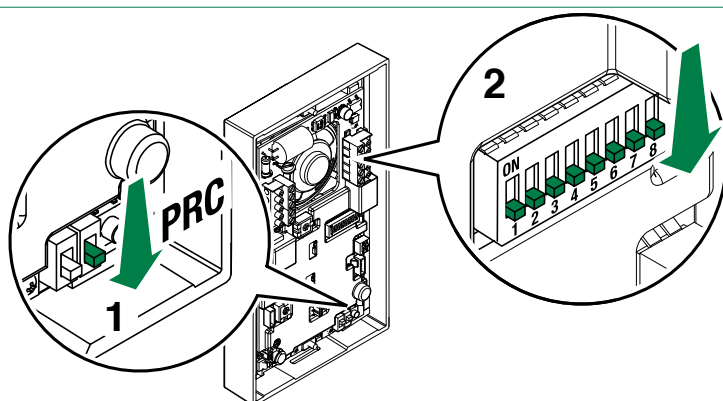
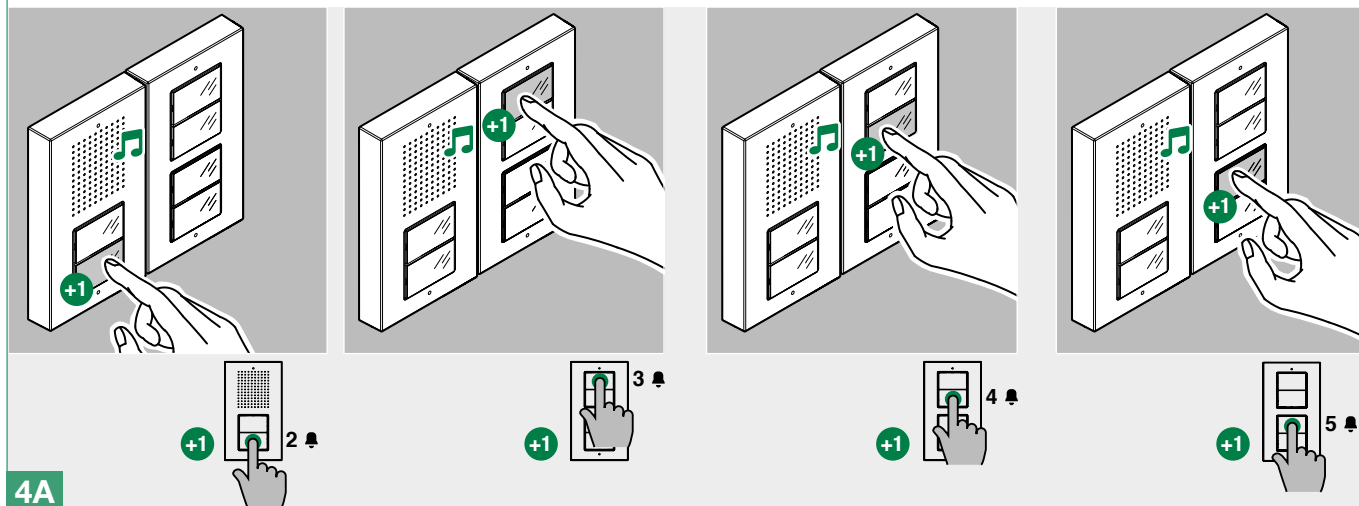


Code	Dip switch ON
1	1

Press the button you want to associate with the call address set using the dip switches

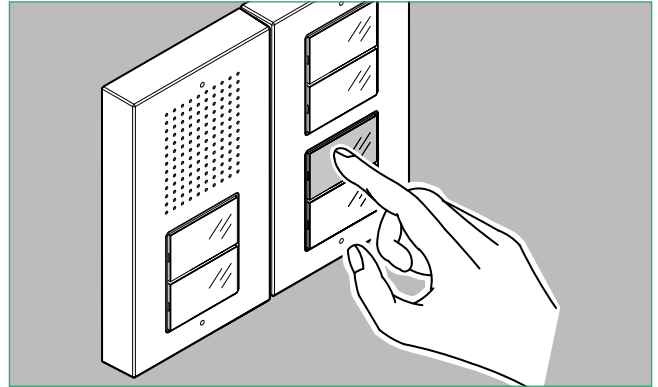
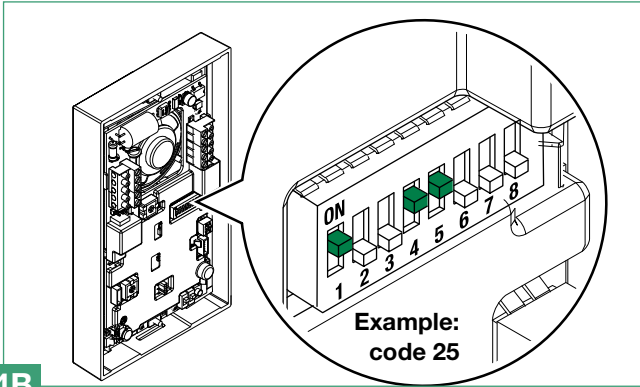


Press the following buttons to assign incremental addresses #



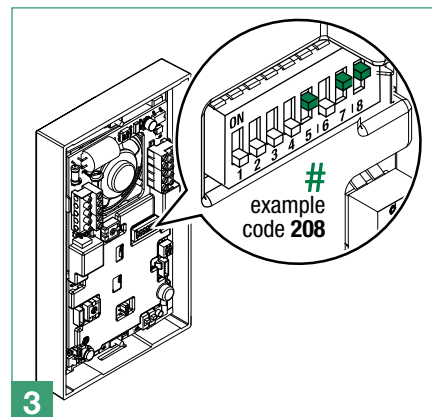
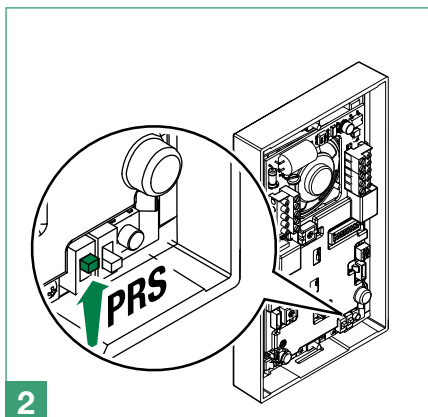
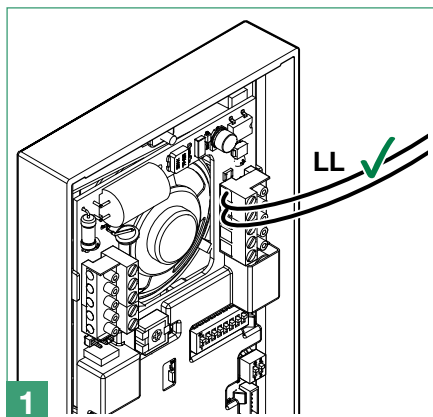
#

If you need to set a NON-progressive address, set the code using the dip switches and press the button you want to associate with the address.

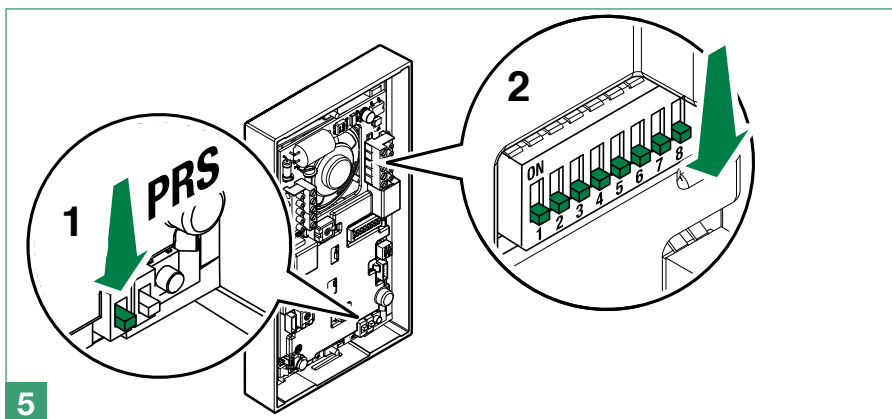
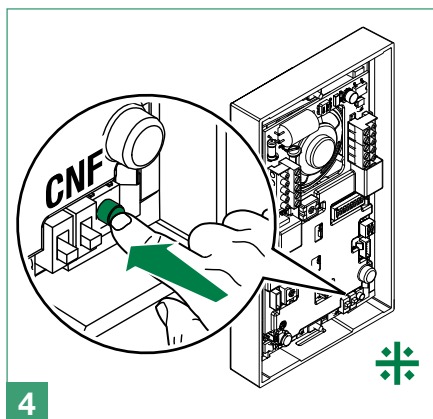


4B

Special programmes



Set the dip switches for the function you wish to program, see the [table](#).



Repeat steps 3 and 4 to program other special functions

CODE	DIP SWITCHES ON	FUNCTIONS
		Audio messages
195	1,2,7,8	Hebrew
196	3,7,8	Polish
197	1,3,7,8	Catalan
198	2,3,7,8	Galician
199	1,2,3,7,8	Basque
206	2,3,4,7,8	Danish
207	1,2,3,4,7,8	Norwegian
211	1,2,5,7,8	Swedish
215	1,2,3,5,7,8	Italian
216	4,5,7,8	French
217	1,4,5,7,8	Spanish
218	2,4,5,7,8	Dutch
219	1,2,4,5,7,8	Greek
220	3,4,5,7,8	English
221	1,3,4,5,7,8	German
222	2,3,4,5,7,8	Portuguese
202	2,4,7,8	Enables voice message (door opened warning) when the RTE contact is closed
203	1,2,4,7,8	Disables voice message (door opened warning) when the RTE contact is closed (default setting)
214	2,3,5,7,8	OFF (default)
		Actuator command management
		N.B. Art. 1256 in generic actuator mode must not be present in the system.
227	1,2,6,7,8	Actuator function on S serial line = enabled
228	3,6,7,8	Actuator function on S serial line = disabled (default)

229	1,3,6,7,8	C.NC.NO relay activation on actuator command: 2 sec
230	2,3,6,7,8	C.NC.NO relay activation on actuator command: 4 sec
231	1,2,3,6,7,8	C.NC.NO relay activation on actuator command: 8 sec
Door lock		
245	1,3,5,6,7,8	Door lock time: 2 sec + disabling tone (default)
246	2,3,5,6,7,8	Door lock time: 4 sec
247	1,2,3,5,6,7,8	Door lock time: 8 sec
248	4,5,6,7,8	Door lock confirmation tone: enabled
251	1,2,4,5,6,7,8	Relay C.NC.NO in parallel to SE (default)
252	3,4,5,6,7,8	Lock-release always enabled (default)
253	1,3,4,5,6,7,8	Lock-release only enabled for user called
System functions		
232	4,6,7,8	Awaiting response time: 60 sec (default)
233	1,4,6,7,8	Awaiting response time: 120 sec
234	2,4,6,7,8	Awaiting response time: 30 sec
235	1,2,4,6,7,8	Talk time: 90 sec. (default)
236	3,4,6,7,8	Talk time: 180 sec
239	1,2,3,4,6,7,8	Confirmation tone on user call = enabled (default)
240	5,6,7,8	Confirmation tone on user call = disabled
243	1,2,5,6,7,8	Awaiting reset time: 10 sec (default)
244	3,5,6,7,8	Awaiting reset time: 1 sec
208	5,7,8	Reset after lock-release in audio: enabled (default)
209	1,5,7,8	Disables "awaiting reset time" on lock-release command (awaiting response time or talk time will be activated).
249	1,4,5,6,7,8	Call transmission: single (default)
250	2,4,5,6,7,8	Call transmission: triple
System mode		
0		Simplebus (default)
255	1,2,3,4,5,6,7,8	Simplebus Top
254	2,3,4,5,6,7,8	Restore default

Operating notes

- When a call is transmitted from the external unit, if a busy tone is heard instead of the ringtone, this means communication with another external unit is in progress.

System performance and layouts

For further information of system performance and to view installation layouts, click on the system type that best meets your requirements:

- [Kit audio](#) for the creation of audio-video systems for *individual residences*.
- [SB2 audio system](#) for the creation of audio systems for *residential complexes*.

Addressing table

Code	Dip switch ON														
1	1	31	1,2,3,4,5	61	1,3,4,5,6	91	1,2,4,5,7	121	1,4,5,6,7	151	1,2,3,5,8	181	1,3,5,6,8	211	1,2,5,7,8
2	2	32	6	62	2,3,4,5,6	92	3,4,5,7	122	2,4,5,6,7	152	4,5,8	182	2,3,5,6,8	212	3,5,7,8
3	1,2	33	1,6	63	1,2,3,4,5,6	93	1,3,4,5,7	123	1,2,4,5,6,7	153	1,4,5,8	183	1,2,3,5,6,8	213	1,3,5,7,8
4	3	34	2,6	64	7	94	2,3,4,5,7	124	3,4,5,6,7	154	2,4,5,8	184	4,5,6,8	214	2,3,5,7,8
5	1,3	35	1,2,6	65	1,7	95	1,2,3,4,5,7	125	1,3,4,5,6,7	155	1,2,4,5,8	185	1,4,5,6,8	215	1,2,3,5,7,8
6	2,3	36	3,6	66	2,7	96	6,7	126	2,3,4,5,6,7	156	3,4,5,8	186	2,4,5,6,8	216	4,5,7,8
7	1,2,3	37	1,3,6	67	1,2,7	97	1,6,7	127	1,2,3,4,5,6,7	157	1,3,4,5,8	187	1,2,4,5,6,8	217	1,4,5,7,8
8	4	38	2,3,6	68	3,7	98	2,6,7	128	8	158	2,3,4,5,8	188	3,4,5,6,8	218	2,4,5,7,8
9	1,4	39	1,2,3,6	69	1,3,7	99	1,2,6,7	129	1,8	159	1,2,3,4,5,8	189	1,3,4,5,6,8	219	1,2,4,5,7,8
10	2,4	40	4,6	70	2,3,7	100	3,6,7	130	2,8	160	6,8	190	2,3,4,5,6,8	220	3,4,5,7,8
11	1,2,4	41	1,4,6	71	1,2,3,7	101	1,3,6,7	131	1,2,8	161	1,6,8	191	1,2,3,4,5,6,8	221	1,3,4,5,7,8
12	3,4	42	2,4,6	72	4,7	102	2,3,6,7	132	3,8	162	2,6,8	192	7,8	222	2,3,4,5,7,8
13	1,3,4	43	1,2,4,6	73	1,4,7	103	1,2,3,6,7	133	1,3,8	163	1,2,6,8	193	1,7,8	223	1,2,3,4,5,7,8
14	2,3,4	44	3,4,6	74	2,4,7	104	4,6,7	134	2,3,8	164	3,6,8	194	2,7,8	224	6,7,8
15	1,2,3,4	45	1,3,4,6	75	1,2,4,7	105	1,4,6,7	135	1,2,3,8	165	1,3,6,8	195	1,2,7,8	225	1,6,7,8
16	5	46	2,3,4,6	76	3,4,7	106	2,4,6,7	136	4,8	166	2,3,6,8	196	3,7,8	226	2,6,7,8
17	1,5	47	1,2,3,4,6	77	1,3,4,7	107	1,2,4,6,7	137	1,4,8	167	1,2,3,6,8	197	1,3,7,8	227	1,2,6,7,8
18	2,5	48	5,6	78	2,3,4,7	108	3,4,6,7	138	2,4,8	168	4,6,8	198	2,3,7,8	228	3,6,7,8
19	1,2,5	49	1,5,6	79	1,2,3,4,7	109	1,3,4,6,7	139	1,2,4,8	169	1,4,6,8	199	1,2,3,7,8	229	1,3,6,7,8
20	3,5	50	2,5,6	80	5,7	110	2,3,4,6,7	140	3,4,8	170	2,4,6,8	200	4,7,8	230	2,3,6,7,8
21	1,3,5	51	1,2,5,6	81	1,5,7	111	1,2,3,4,6,7	141	1,3,4,8	171	1,2,4,6,8	201	1,4,7,8	231	1,2,3,6,7,8
22	2,3,5	52	3,5,6	82	2,5,7	112	5,6,7	142	2,3,4,8	172	3,4,6,8	202	2,4,7,8	232	4,6,7,8
23	1,2,3,5	53	1,3,5,6	83	1,2,5,7	113	1,5,6,7	143	1,2,3,4,8	173	1,3,4,6,8	203	1,2,4,7,8	233	1,4,6,7,8
24	4,5	54	2,3,5,6	84	3,5,7	114	2,5,6,7	144	5,8	174	2,3,4,6,8	204	3,4,7,8	234	2,4,6,7,8
25	1,4,5	55	1,2,3,5,6	85	1,3,5,7	115	1,2,5,6,7	145	1,5,8	175	1,2,3,4,6,8	205	1,3,4,7,8	235	1,2,4,6,7,8
26	2,4,5	56	4,5,6	86	2,3,5,7	116	3,5,6,7	146	2,5,8	176	5,6,8	206	2,3,4,7,8	236	3,4,6,7,8
27	1,2,4,5	57	1,4,5,6	87	1,2,3,5,7	117	1,3,5,6,7	147	1,2,5,8	177	1,5,6,8	207	1,2,3,4,7,8	237	1,3,4,6,7,8
28	3,4,5	58	2,4,5,6	88	4,5,7	118	2,3,5,6,7	148	3,5,8	178	2,5,6,8	208	5,7,8	238	2,3,4,6,7,8
29	1,3,4,5	59	1,2,4,5,6	89	1,4,5,7	119	1,2,3,5,6,7	149	1,3,5,8	179	1,2,5,6,8	209	1,5,7,8	239	1,2,3,4,6,7,8
30	2,3,4,5	60	3,4,5,6	90	2,4,5,7	120	4,5,6,7	150	2,3,5,8	180	3,5,6,8	210	2,5,7,8	*240	5,6,7,8

* *NOTE: code 240 is reserved for the porter switchboard

CERTIFIED MANAGEMENT SYSTEMS



www.comelitgroup.com

Via Don Arrigoni, 5 - 24020 Rovetta (BG) - Italy

 **Comelit**[®]
Passion. Technology. Design.